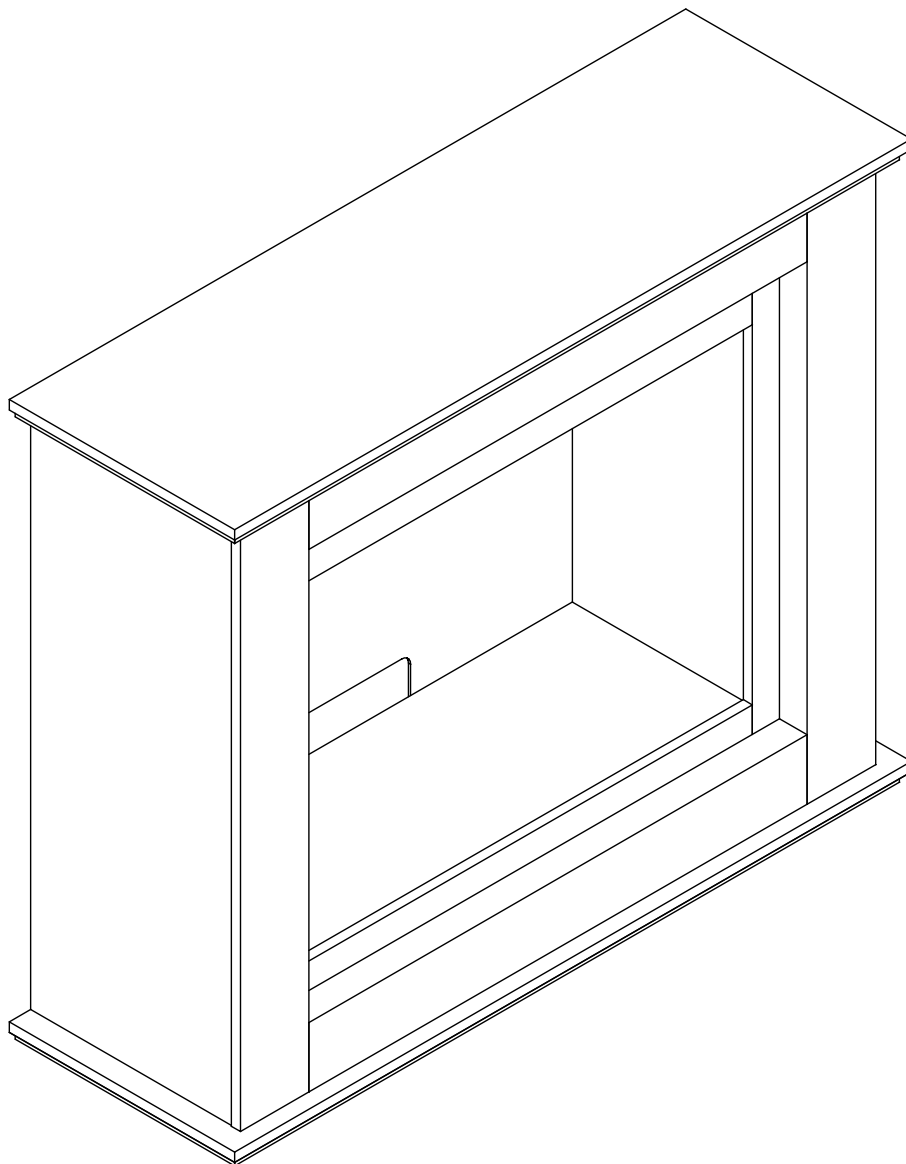


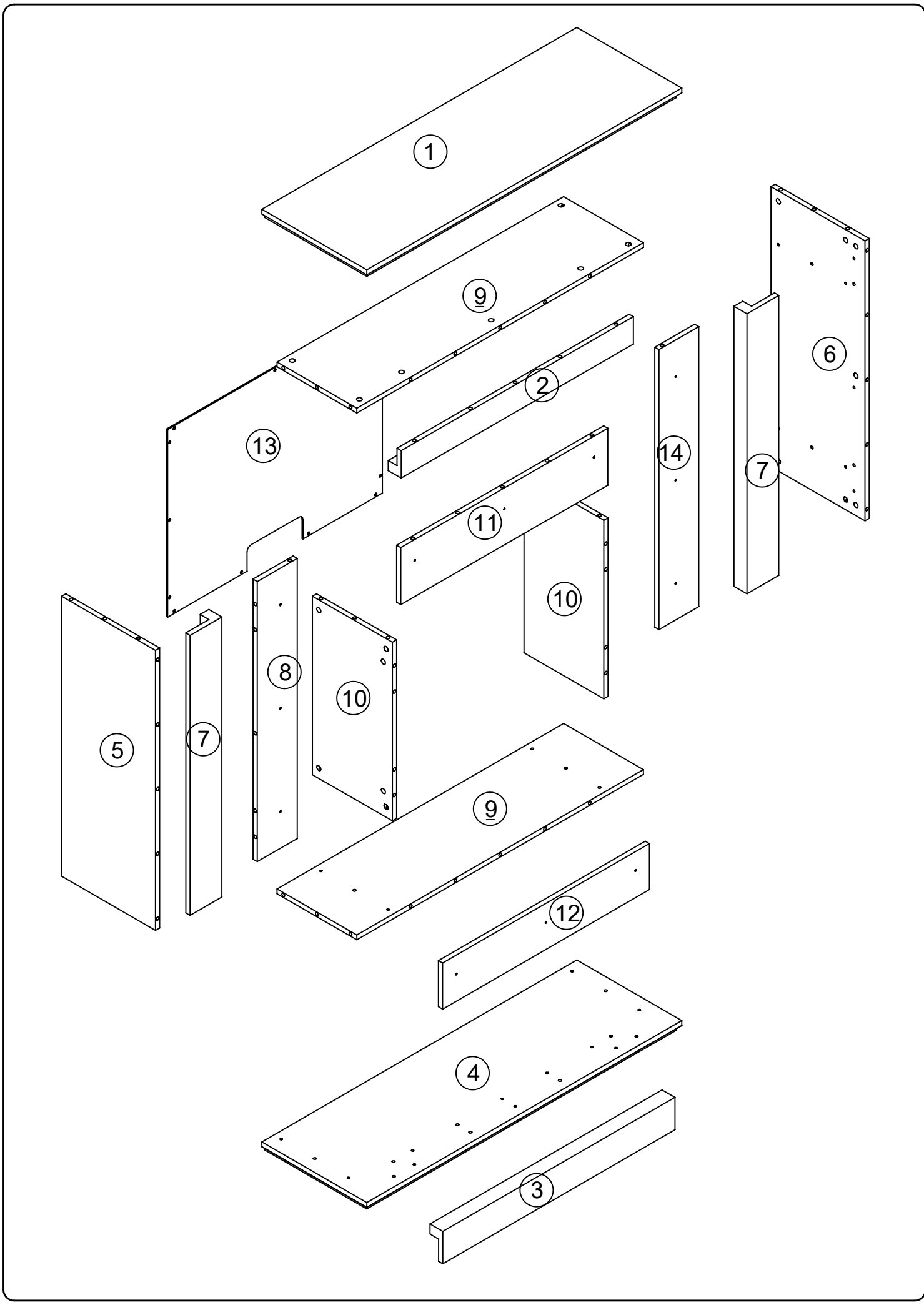


Better At Home

REVESTIMIENTO PARA CHIMENEA
ELÉCTRICA

KTK015





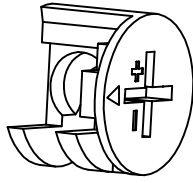
| CODR | DESCRIPTION | QTY |
|------|----------------------------------|-----|
| 1 | Panel | 1 |
| 2 | Front bumper on panel | 1 |
| 3 | Bottom plate lower front block | 1 |
| 4 | Floor | 1 |
| 5 | Left side panel | 1 |
| 6 | Right side panel | 1 |
| 7 | Side panel front bumper | 2 |
| 8 | Right inner baffle of side panel | 1 |
| 9 | Internal transverse plate | 2 |
| 10 | Internal vertical bar | 2 |
| 11 | Panel inner baffle | 1 |
| 12 | Bottom plate inner baffle | 1 |
| 13 | Backplane | 1 |
| 14 | Left inner baffle of side panel | 1 |

| CODR | DESCRIPCIÓN | CAN. |
|------|---------------------------------------|------|
| 1 | Panel | 1 |
| 2 | Tope delantero del panel | 1 |
| 3 | Placa inferior bloque frontal | 1 |
| 4 | Suelo | 1 |
| 5 | Panel lateral izquierdo | 1 |
| 6 | Panel lateral derecho | 1 |
| 7 | Tope delantero panel lateral | 2 |
| 8 | Panel interior derecho pared lateral | 1 |
| 9 | Placa transversal interna | 2 |
| 10 | Barra vertical interna | 2 |
| 11 | Separador interior del panel | 1 |
| 12 | Separador interior placa inferior | 1 |
| 13 | Plano Posterior | 1 |
| 14 | Separador interior izq. panel lateral | 1 |



(A)

58X+1X



(B)

Ø12

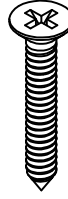
58X+1X



(C)

Ø6x30mm

40X+1X



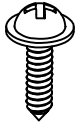
(D)

Ø3.9x25mm

12X+1X

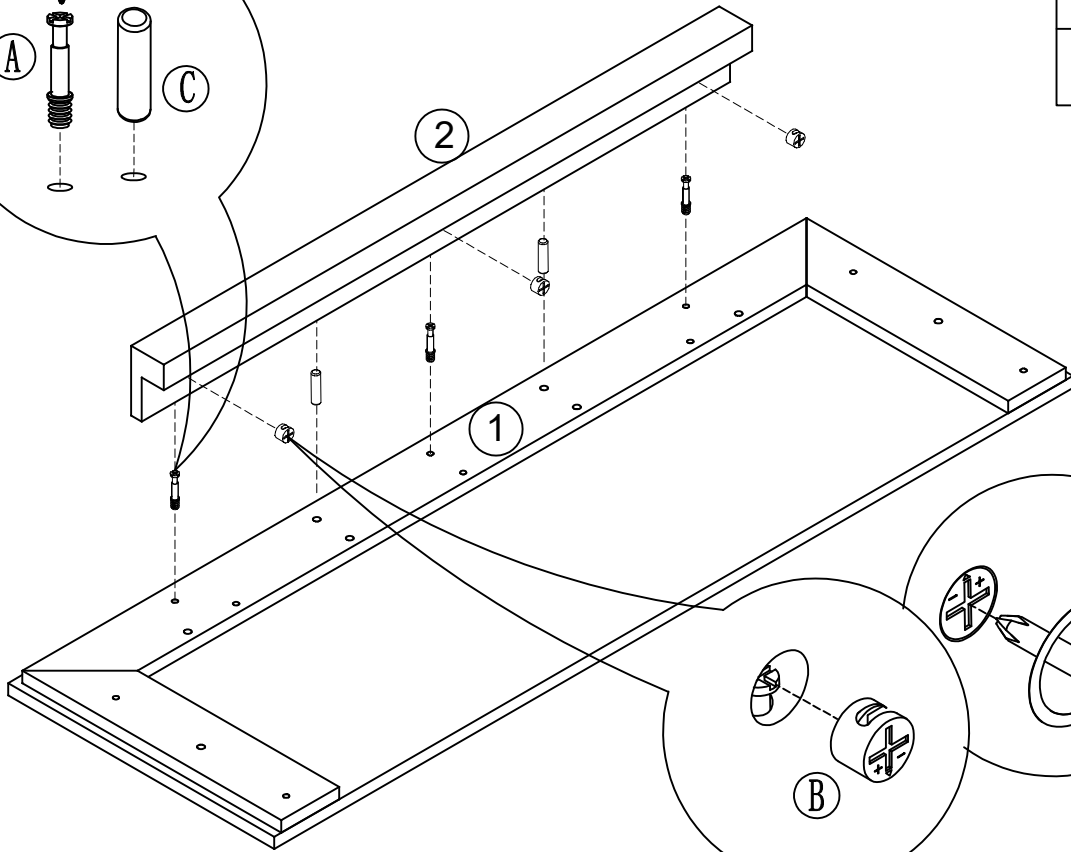
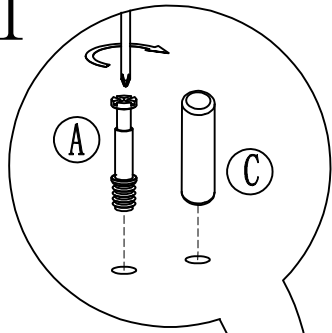
ST3.5*16mm

(E)



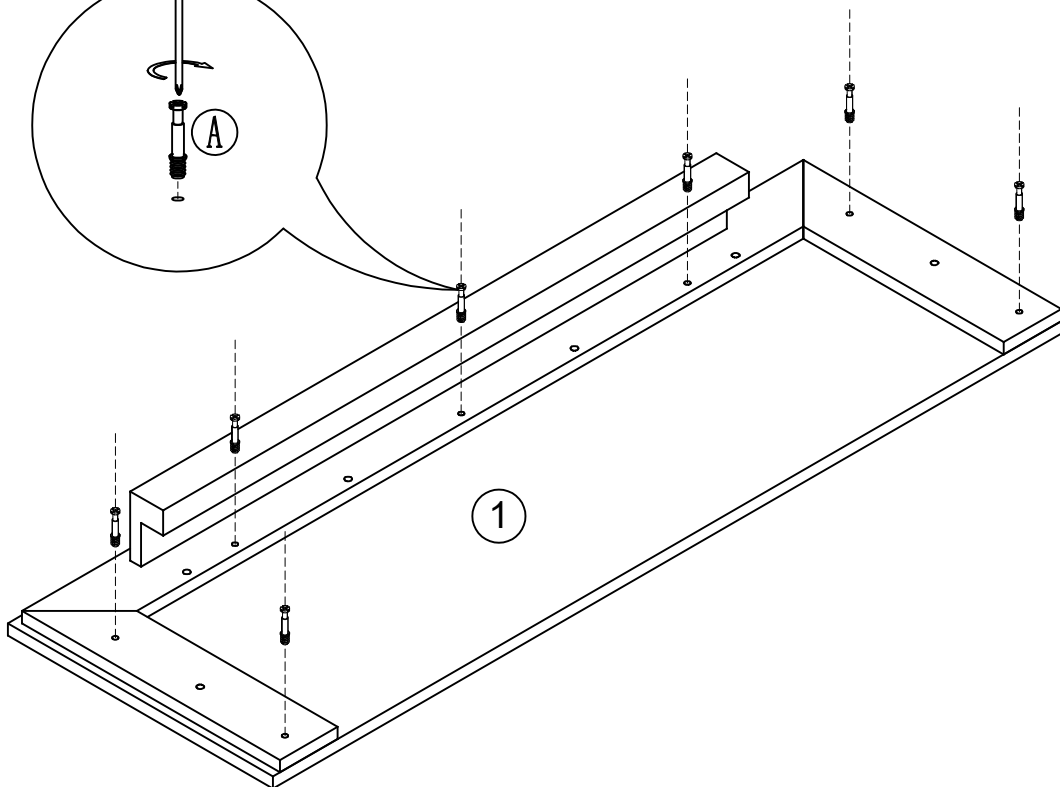
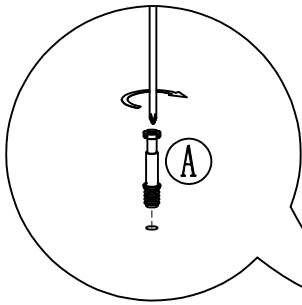
13X +1x

Step 1



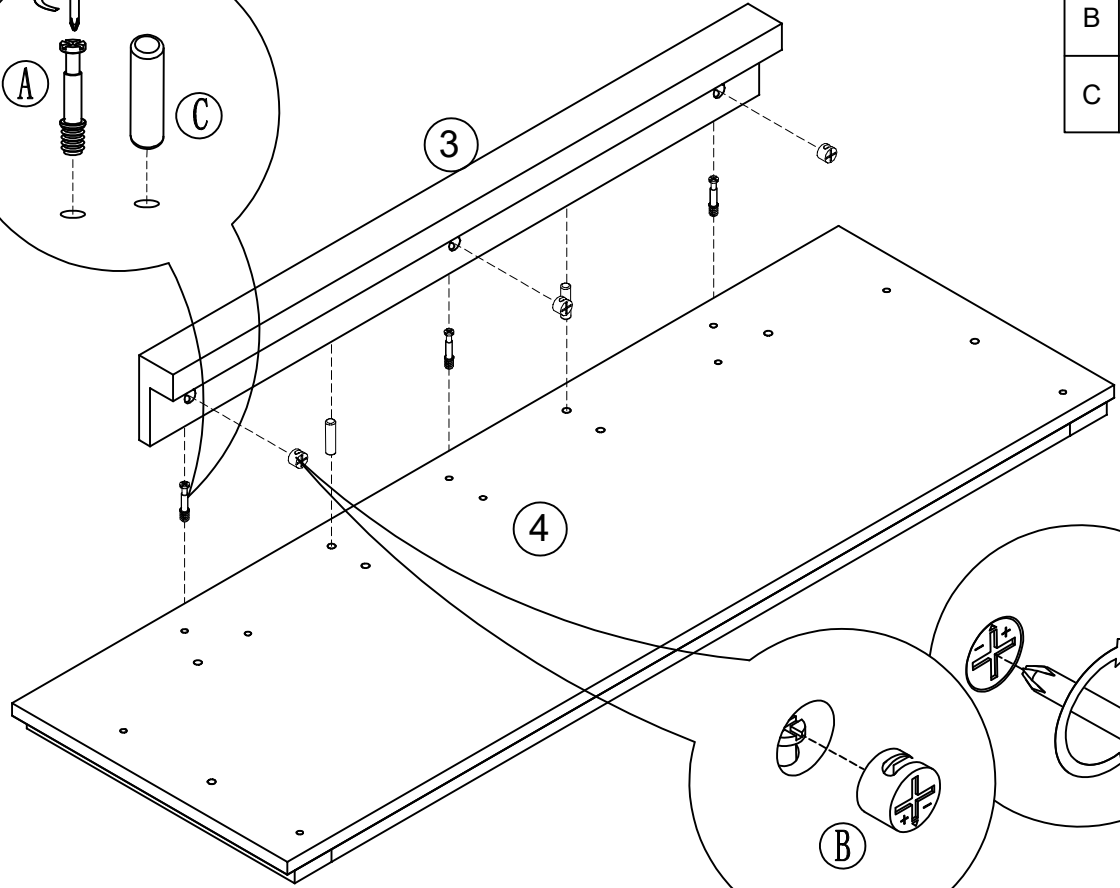
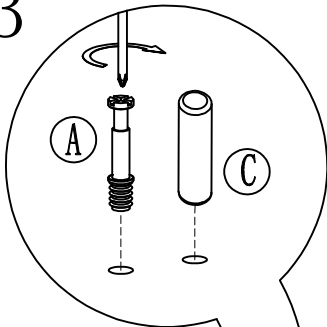
| | | |
|---|--|---|
| A | | 3 |
| B | | 3 |
| C | | 2 |

Step 2

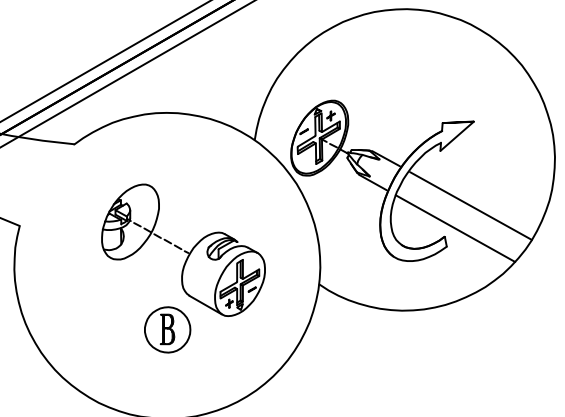


| | | |
|---|--|---|
| A | | 7 |
|---|--|---|

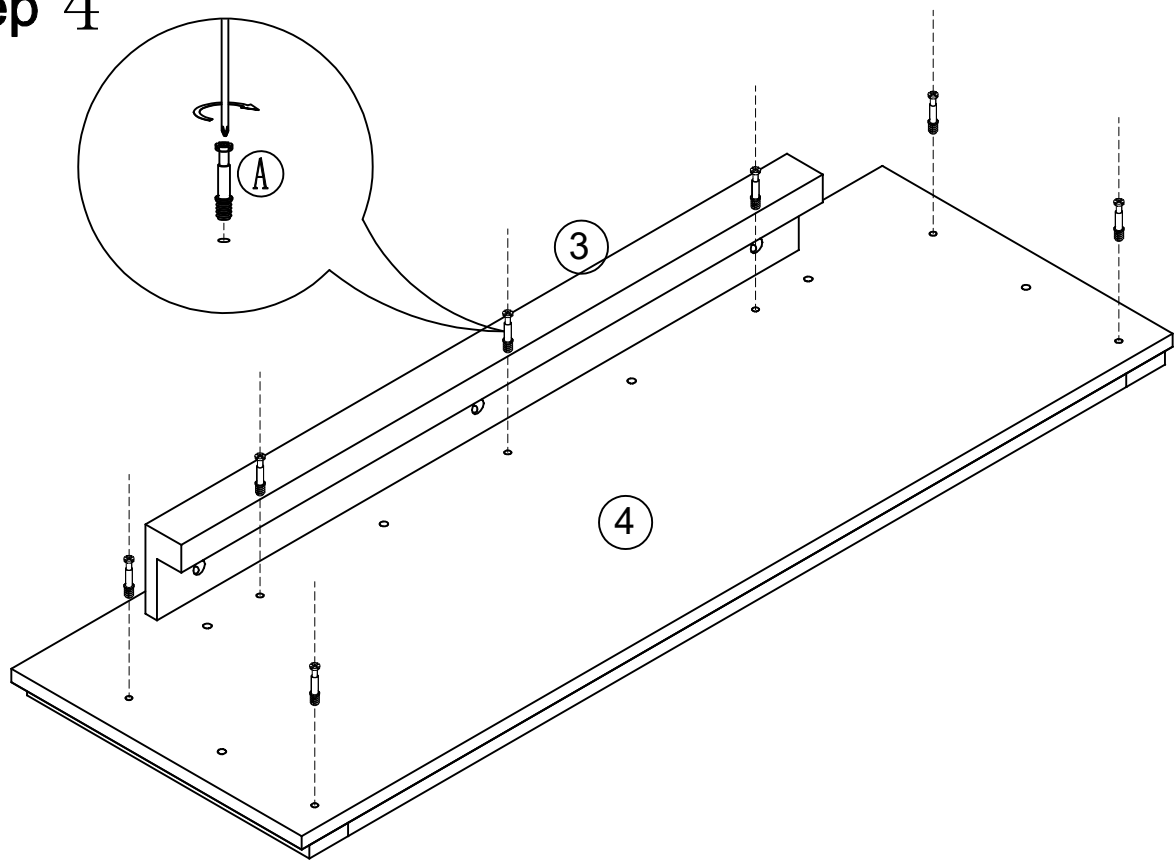
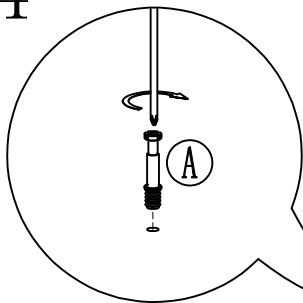
Step 3



| | | |
|---|--|---|
| A | | 3 |
| B | | 3 |
| C | | 2 |




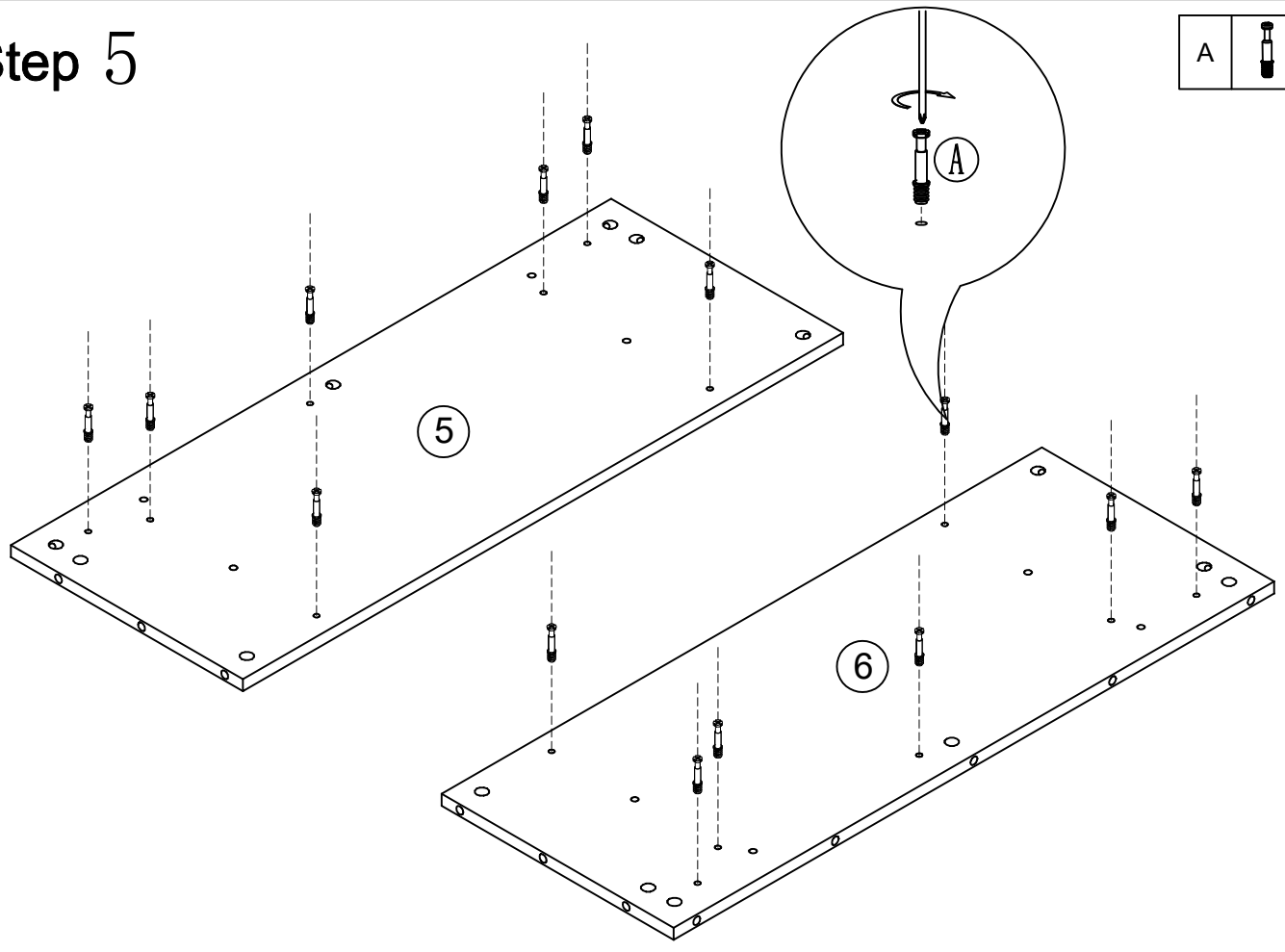
Step 4



| | | |
|---|--|---|
| A | | 7 |
|---|--|---|

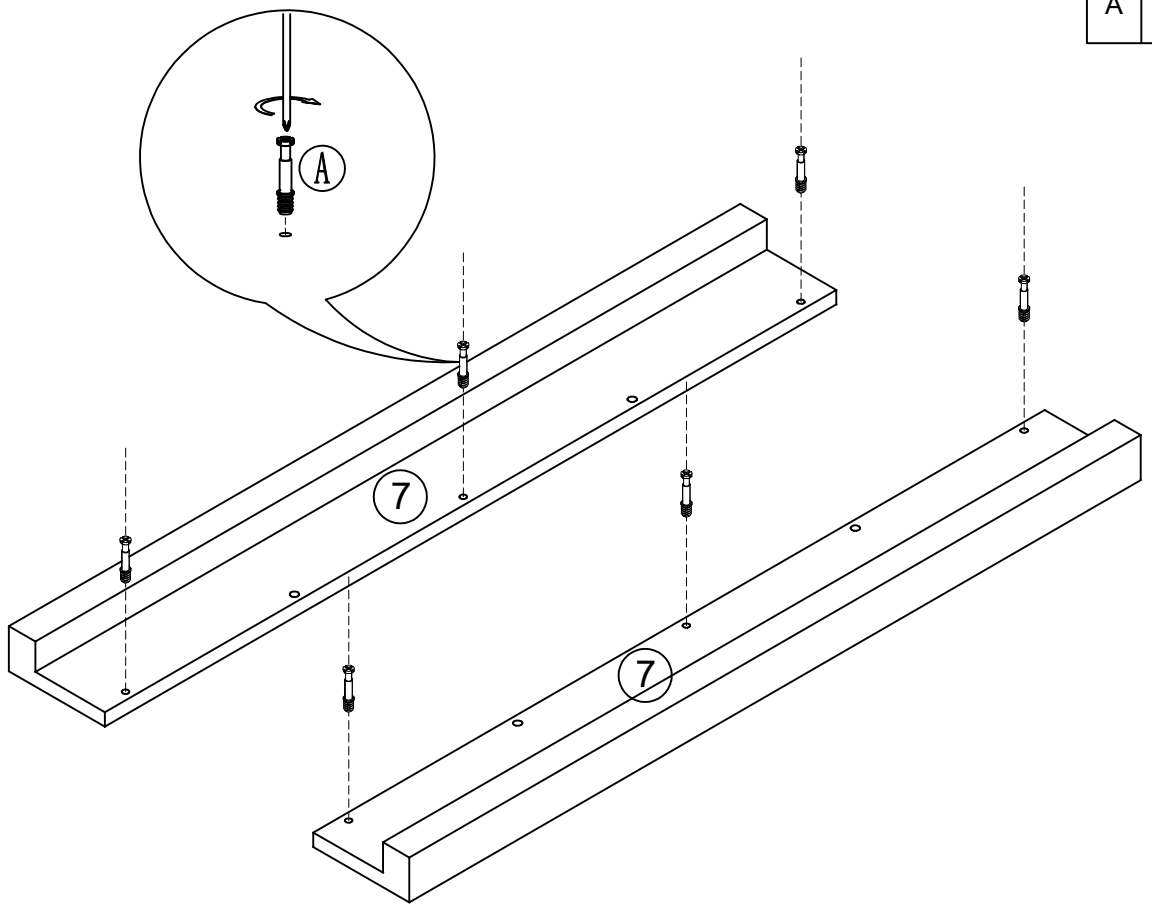
Step 5

| | | |
|---|---|----|
| A |  | 14 |
|---|---|----|

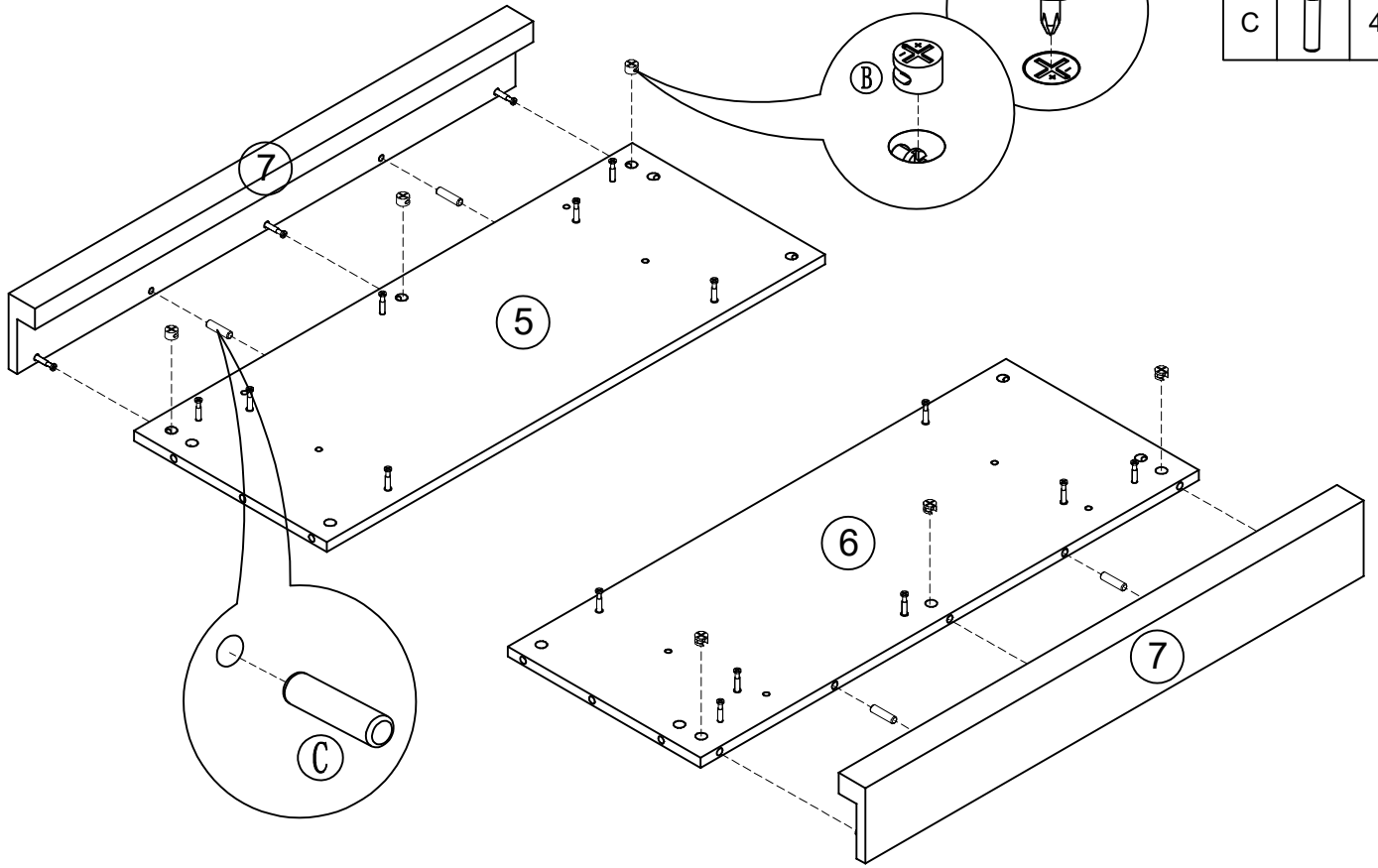




Step 6

| | | |
|---|---|---|
| A |  | 6 |
|---|---|---|

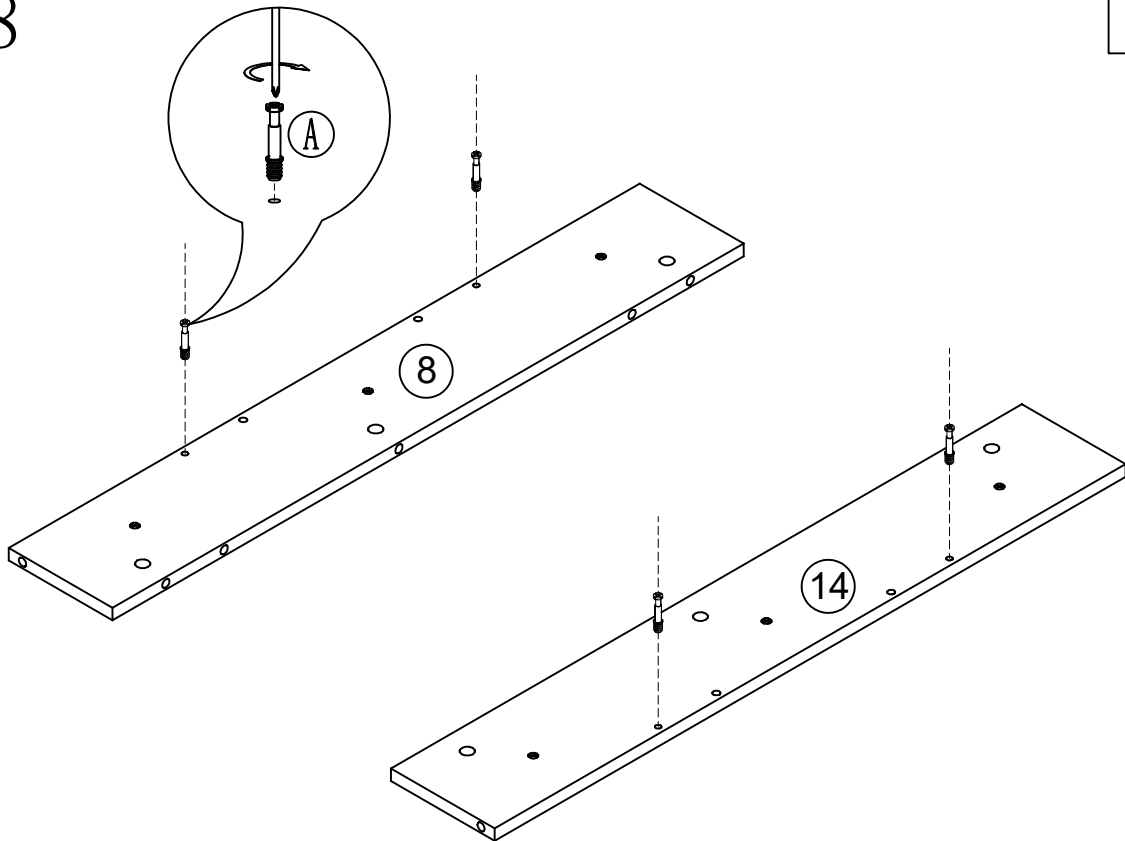



Step 7




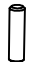
| | | |
|---|---|---|
| B |  | 6 |
| C |  | 4 |

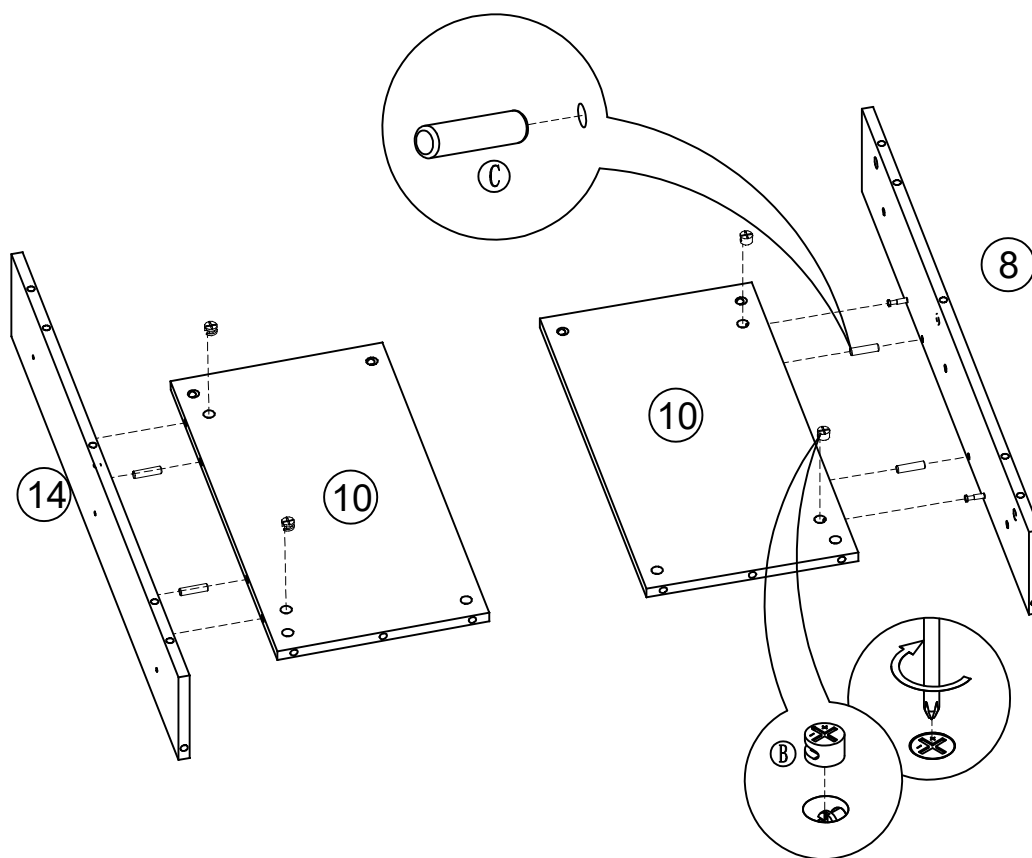
Step 8




| | | |
|---|---|---|
| A |  | 4 |
|---|---|---|

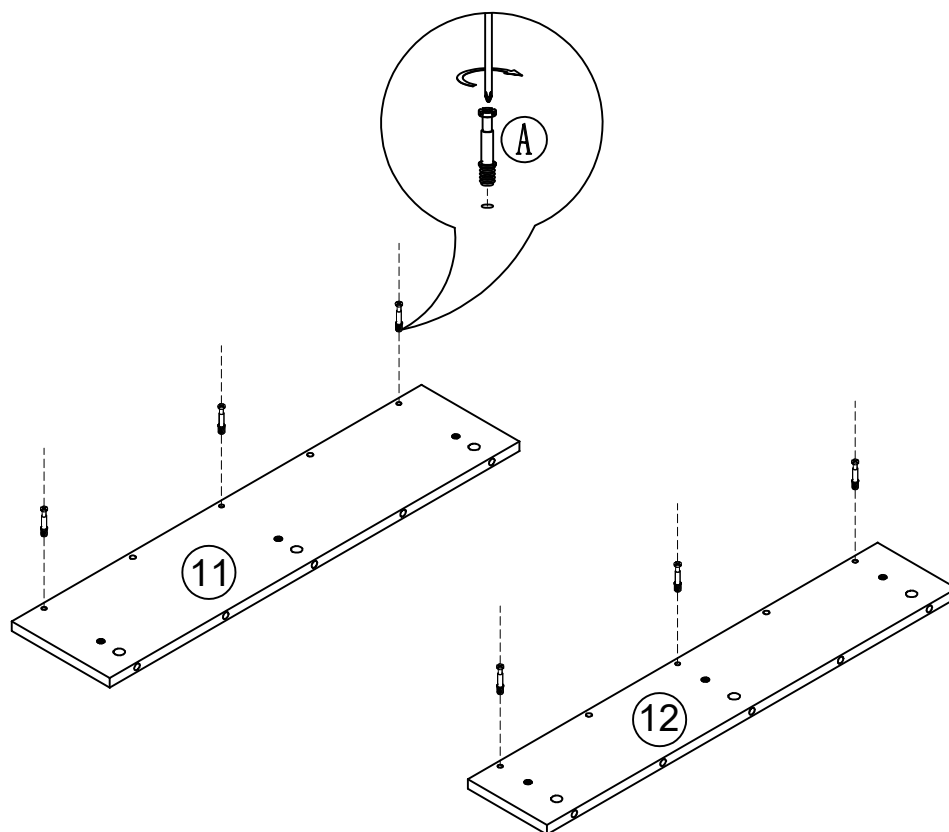
Step 9

| | | |
|---|---|---|
| B |  | 4 |
| C |  | 4 |




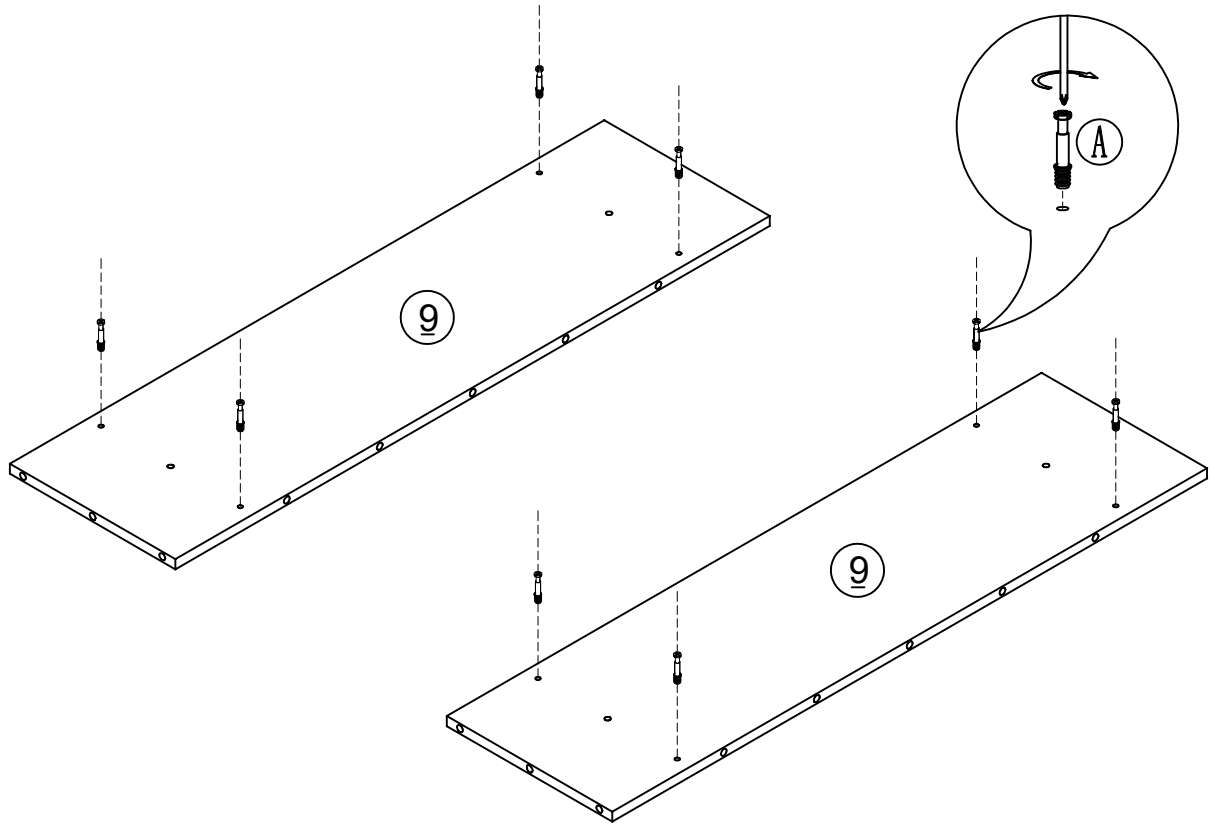
Step 10

| | | |
|---|---|---|
| A |  | 6 |
|---|---|---|





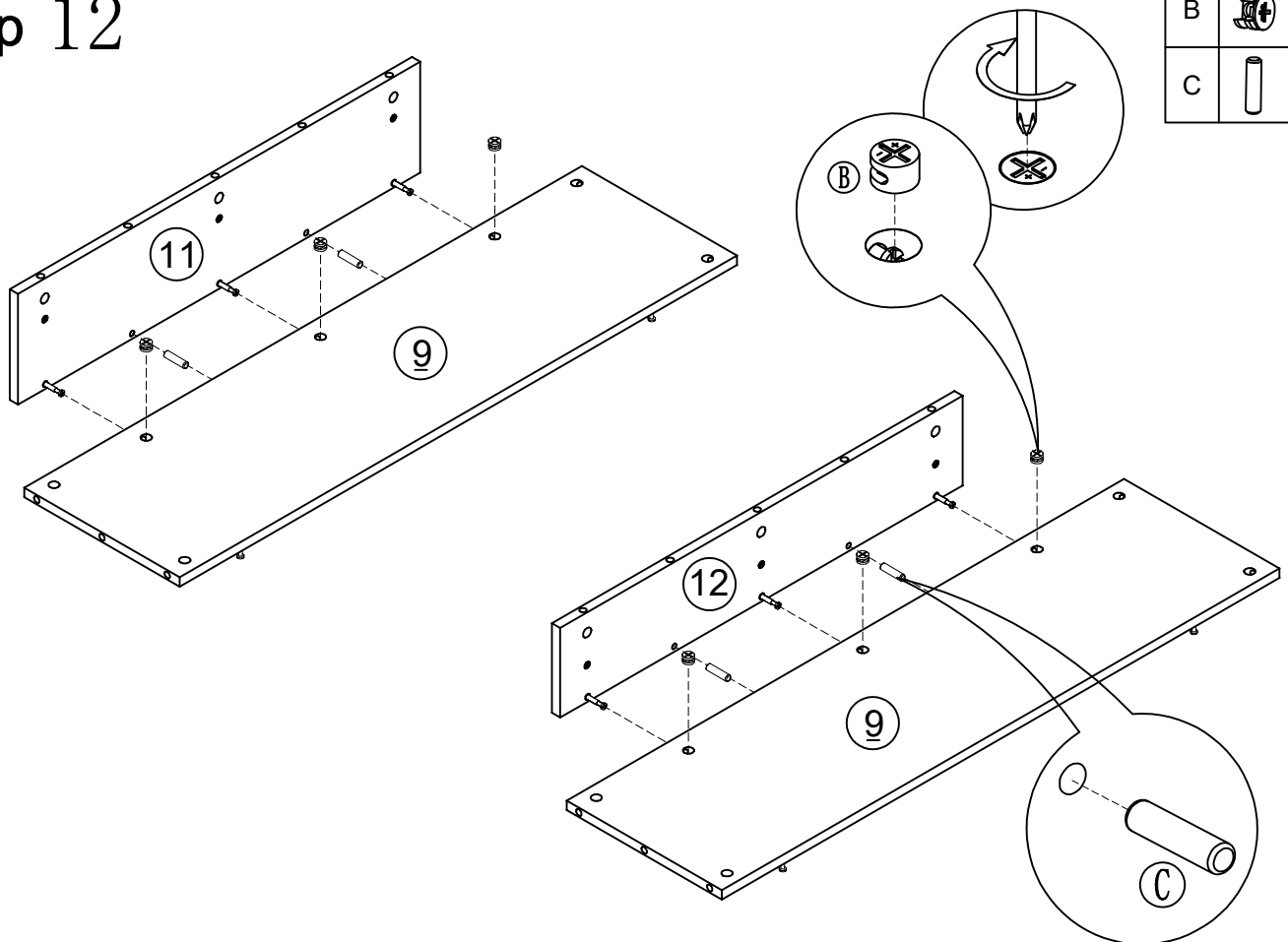
Step 11

| | | |
|---|---|---|
| A |  | 8 |
|---|---|---|





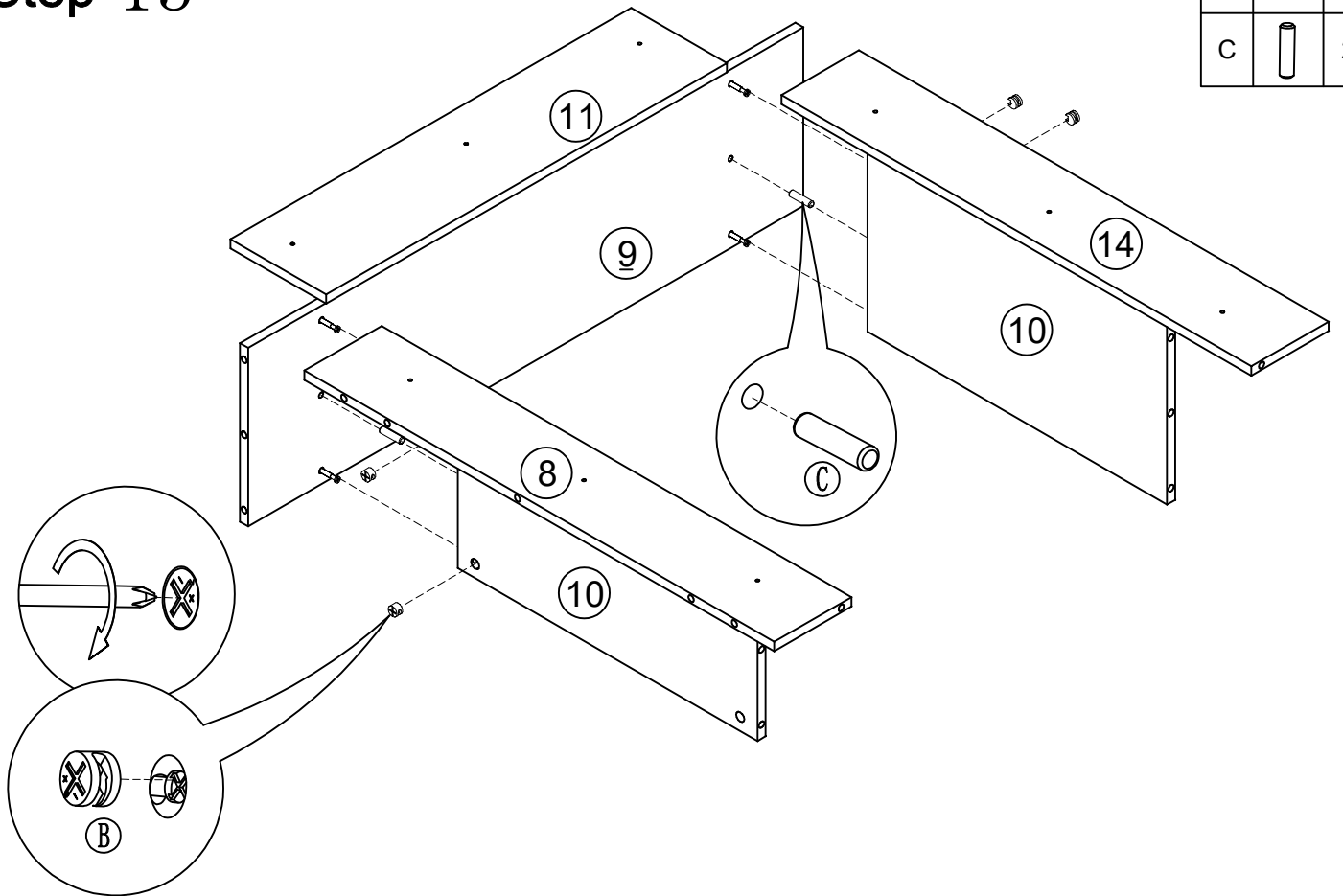
Step 12

| | | |
|---|---|---|
| B |  | 6 |
| C |  | 4 |





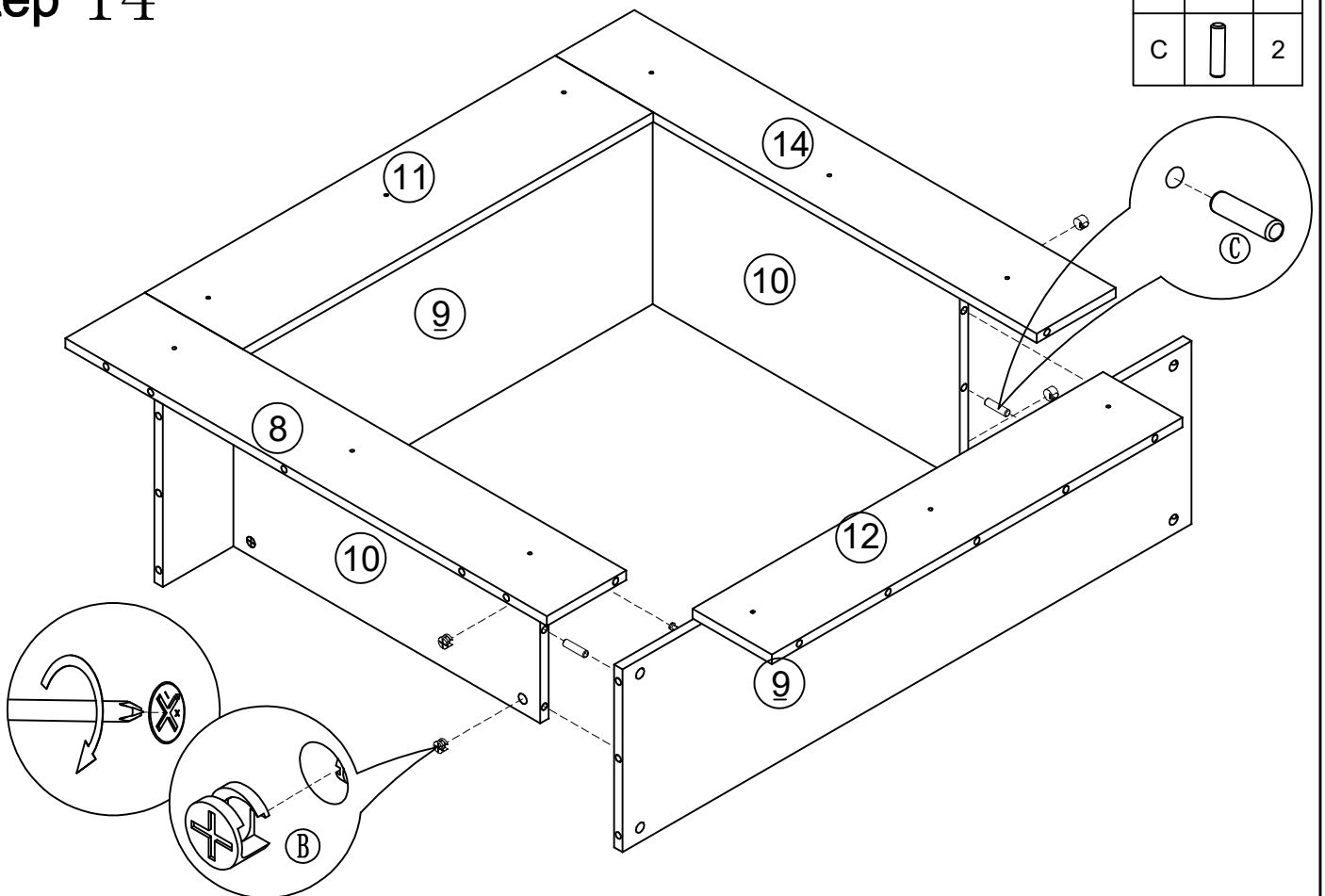
Step 13

| | | |
|---|---|---|
| B |  | 4 |
| C |  | 2 |


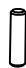


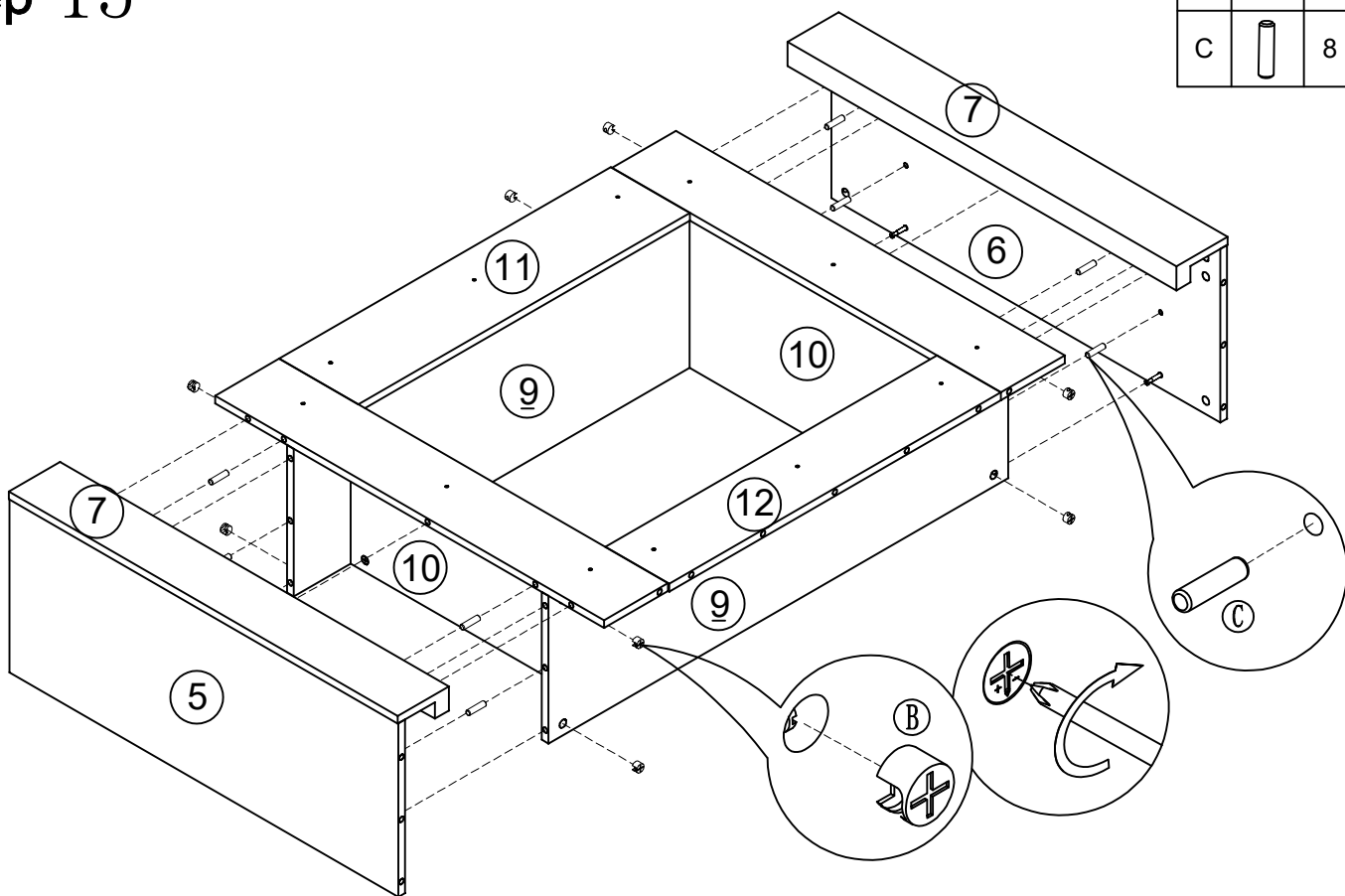
Step 14

| | | |
|---|---|---|
| B |  | 4 |
| C |  | 2 |

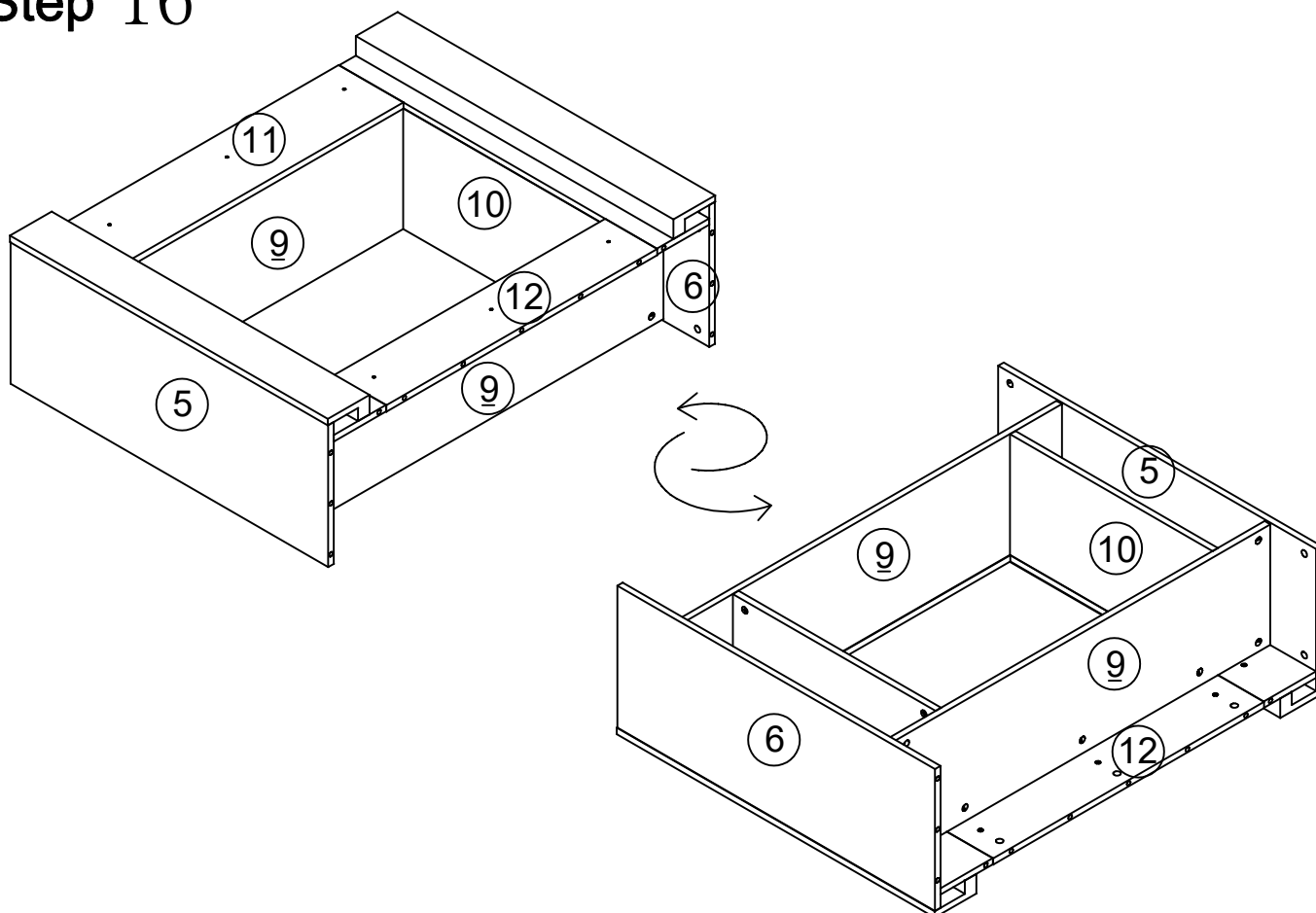


Step 15

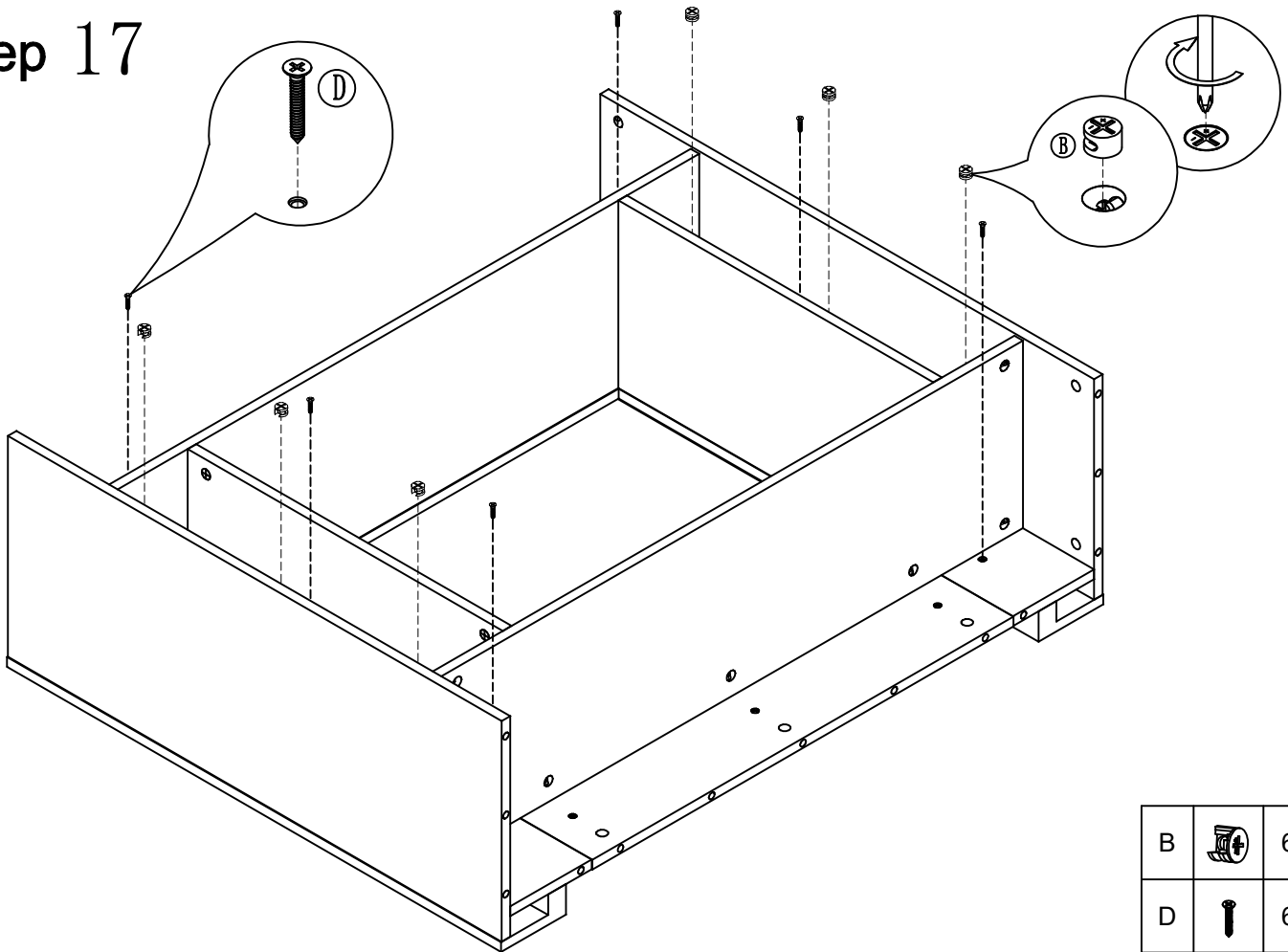
| | | |
|---|---|---|
| B |  | 8 |
| C |  | 8 |



Step 16

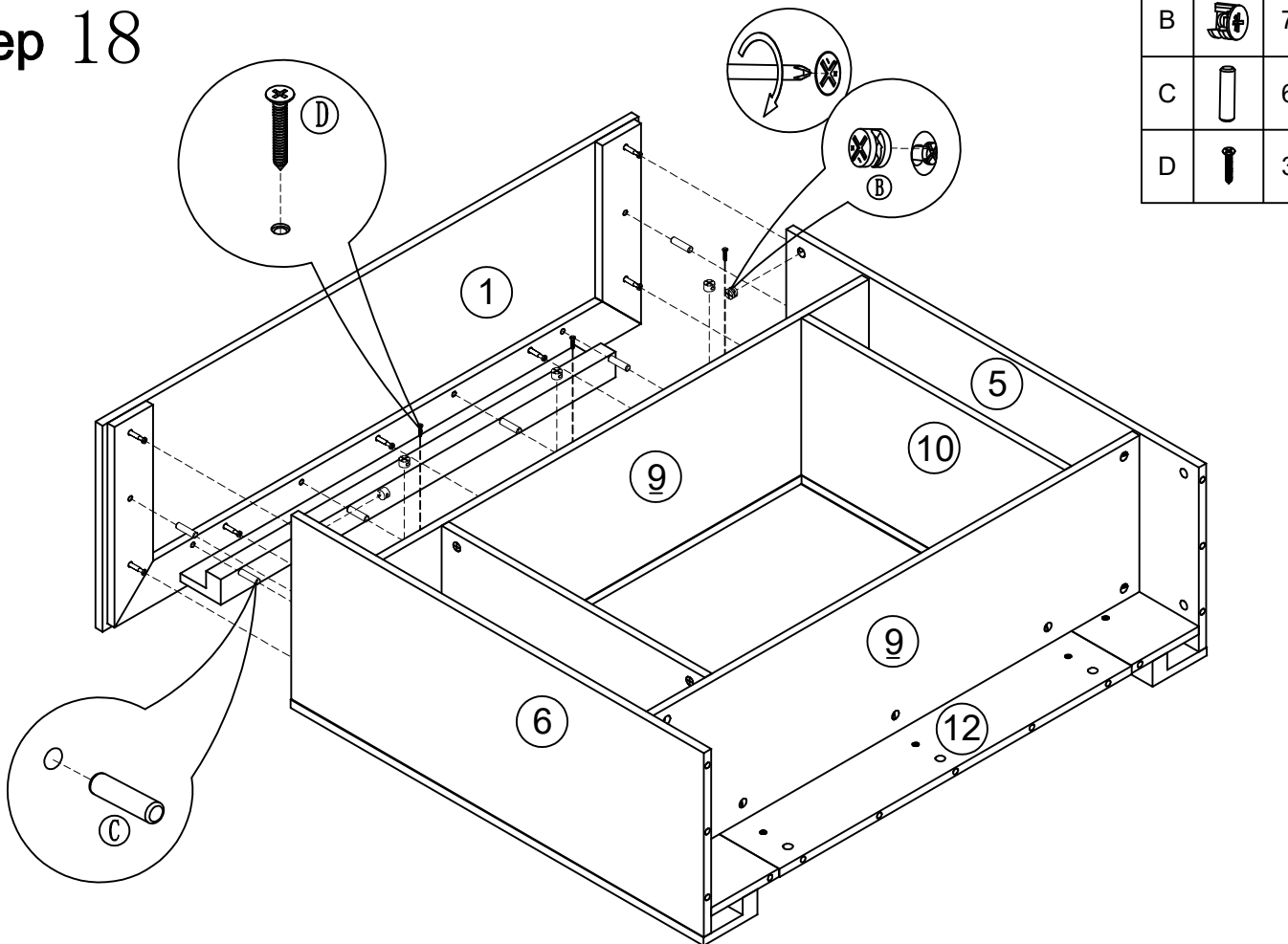


Step 17



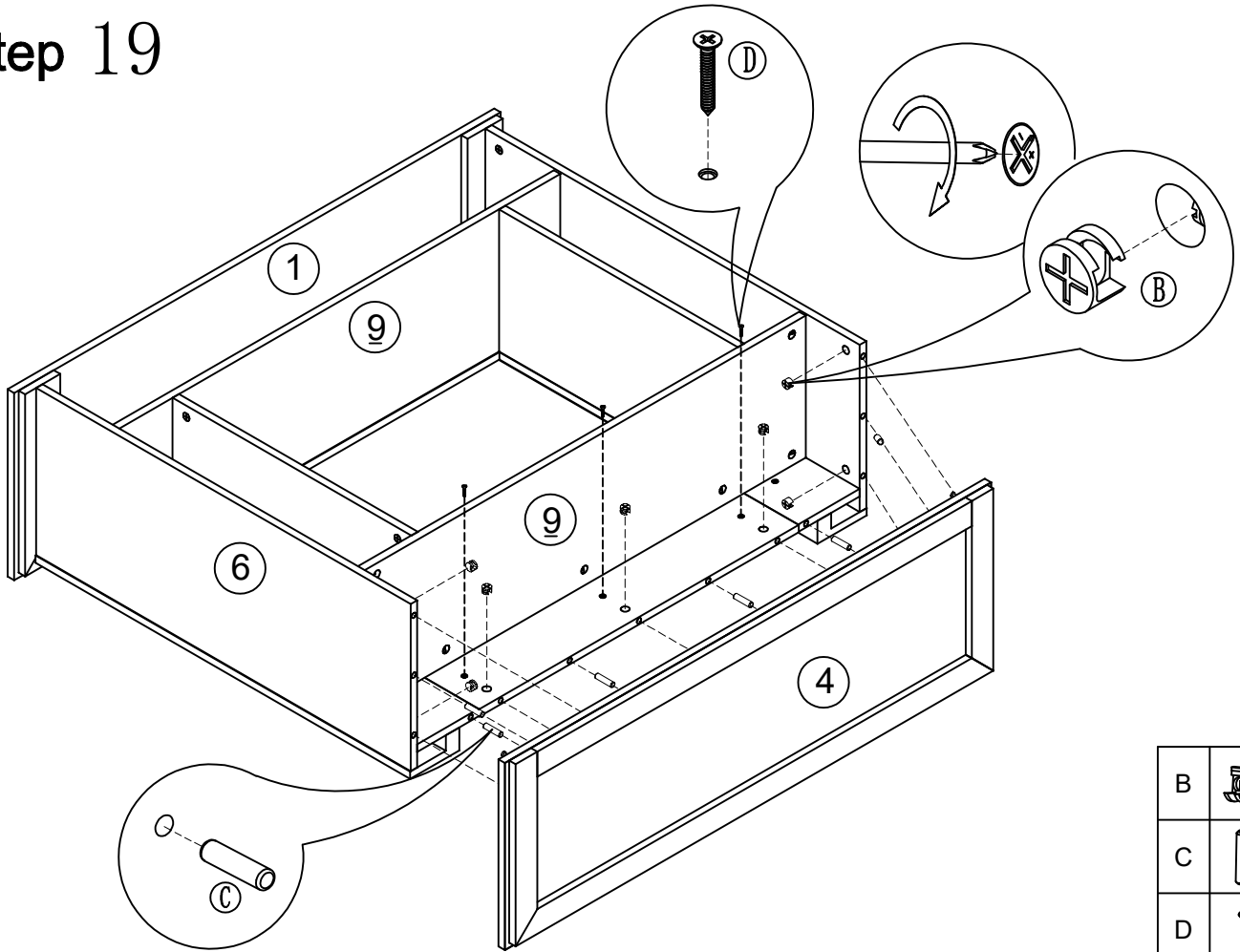
| | | |
|---|--|---|
| B | | 6 |
| D | | 6 |

Step 18



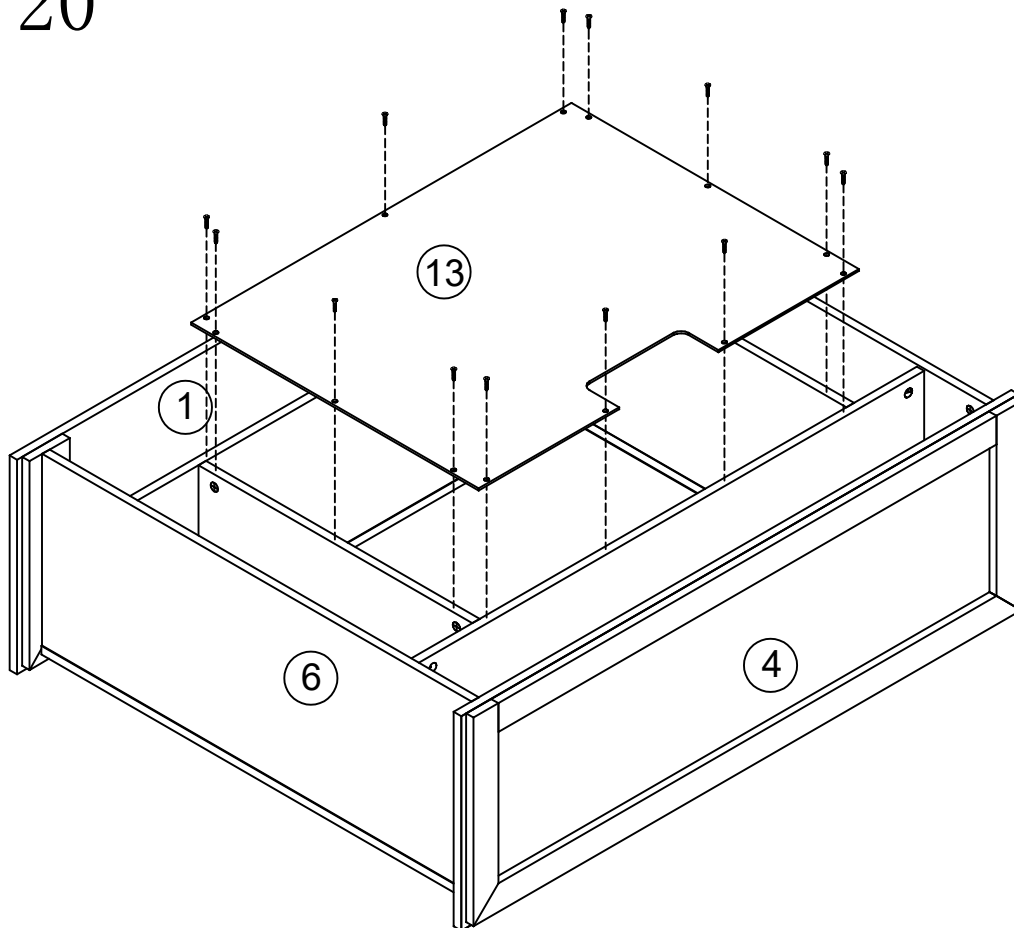
| | | |
|---|--|---|
| B | | 7 |
| C | | 6 |
| D | | 3 |

Step 19



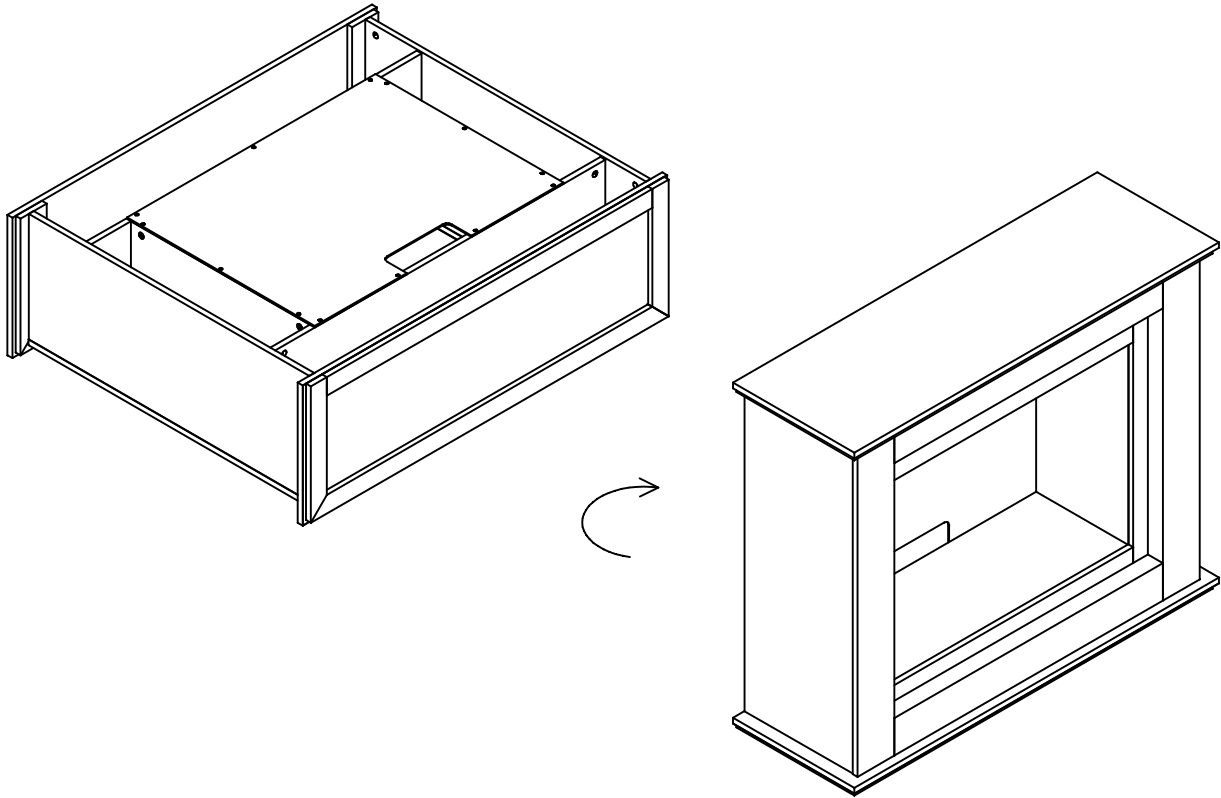
| | | |
|---|--|---|
| B | | 7 |
| C | | 6 |
| D | | 3 |

Step 20

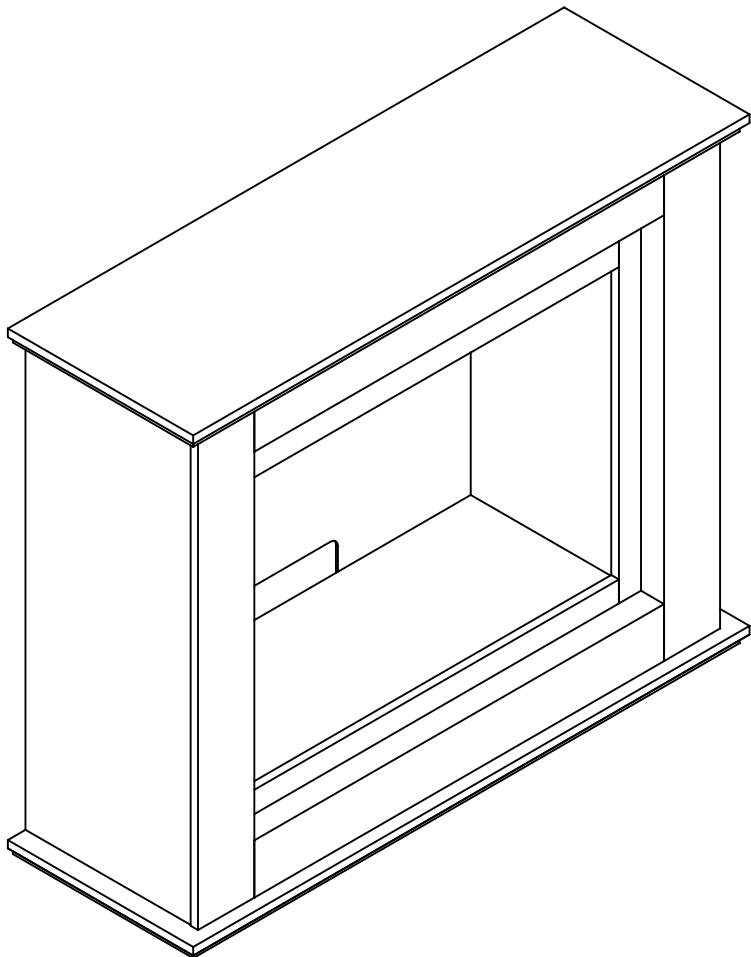


| | | |
|---|--|----|
| E | | 13 |
|---|--|----|

Step 21



Step 22



Kovyx Outdoor, S.L

CIFB 83904086
Avenida de Andalucía nº 208 A
Salida 24 dirección Madrid
28341 Valdemoro, Madrid

Tel: (+34) 911 34 50 46
E-mail: info@kovyx.com

Servicio Post-Venta
Tel: (+34) 918 09 62 29
E-mail: spv@kovyx.com