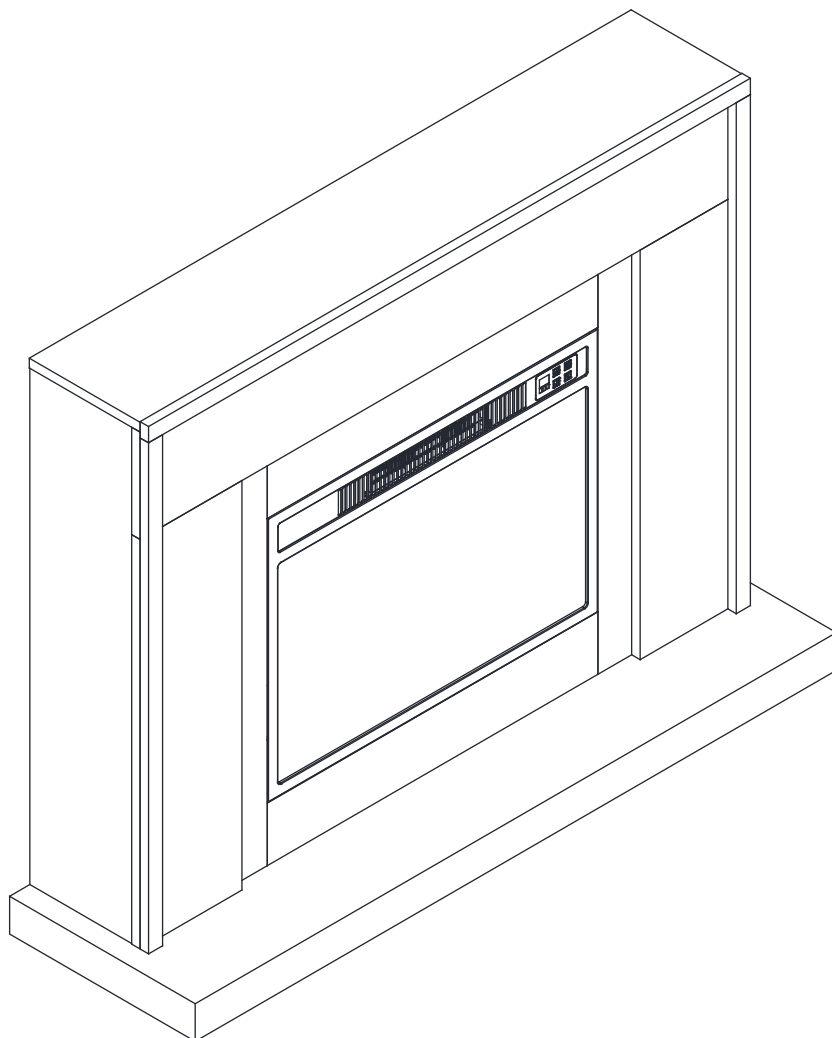




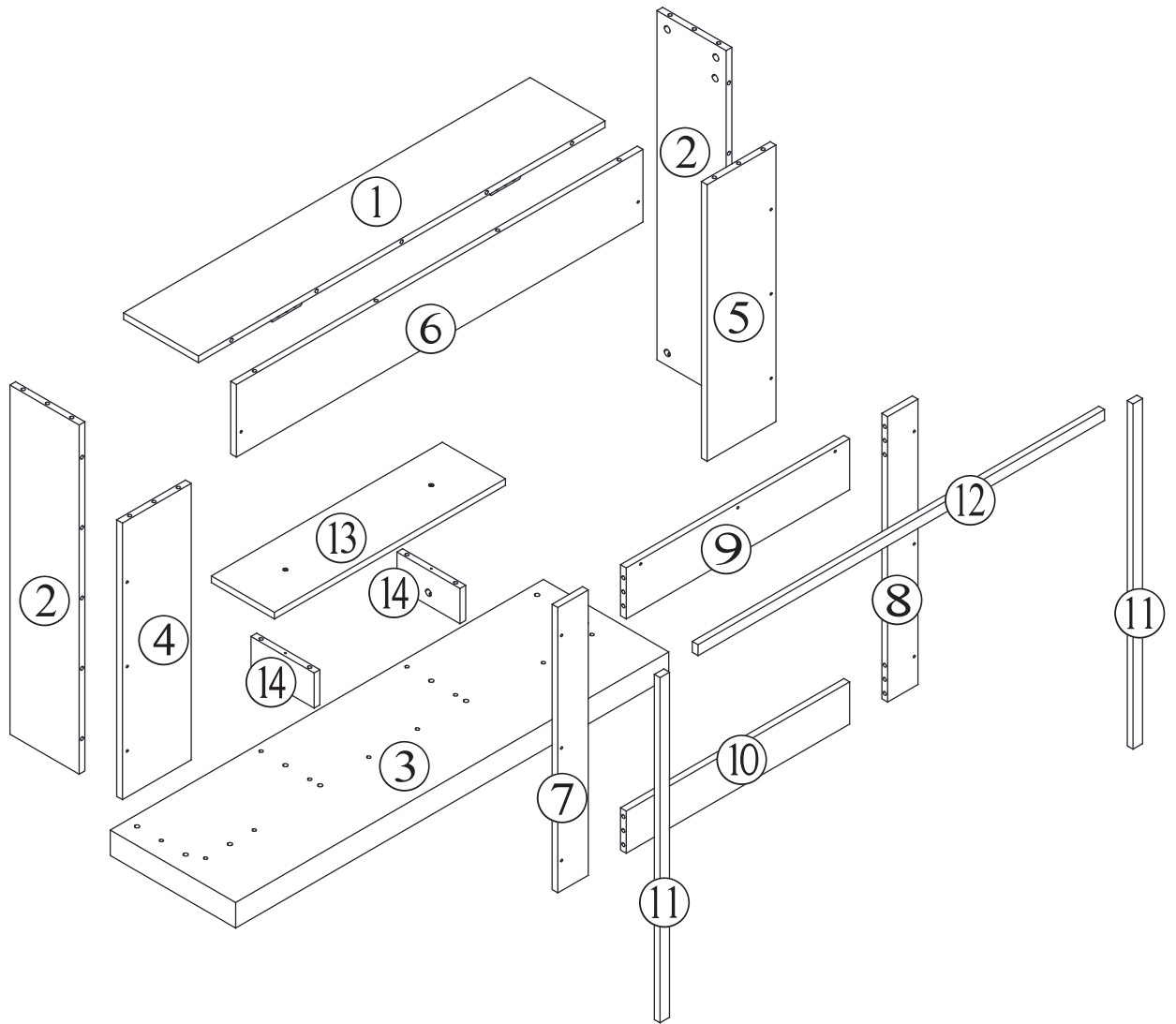
Better At Home

REVESTIMIENTO CHIMENEA
ELÉCTRICA LAVALETTE




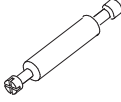



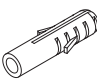
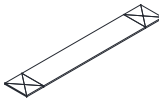

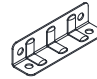

REF: KTK005

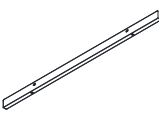
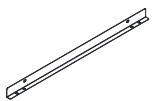




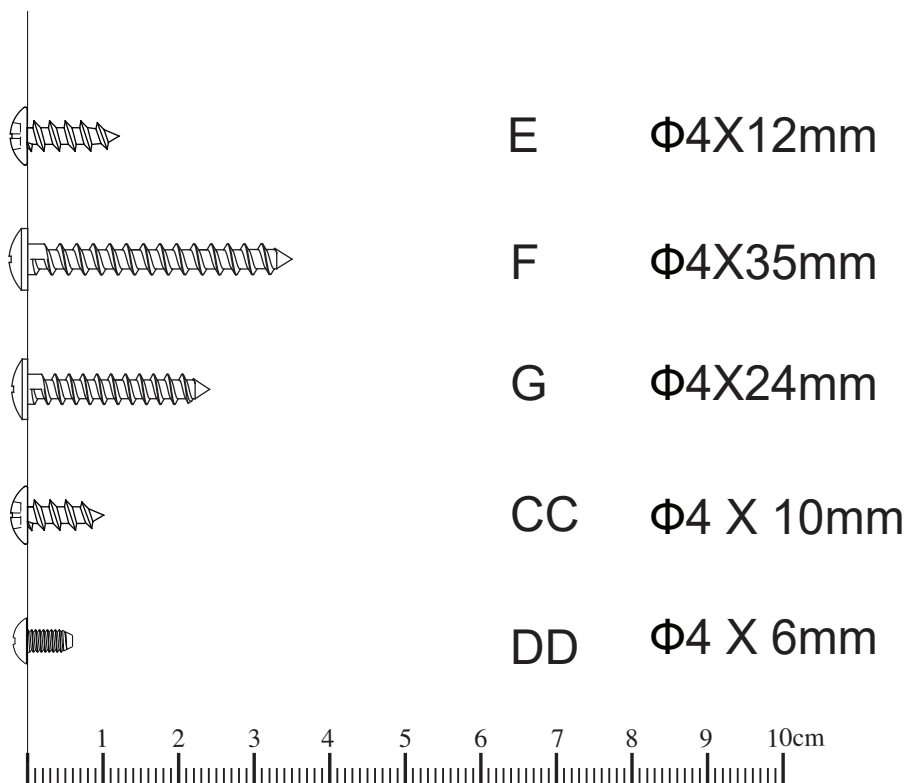
- ① x 1
- ② x 2
- ③ x 1
- ④ x 1
- ⑤ x 1
- ⑥ x 1
- ⑦ x 1
- ⑧ x 1
- ⑨ x 1
- ⑩ x 1
- ⑪ x 2
- ⑫ x 1
- ⑬ x 1
- ⑭ x 2



Hardware Kit

A x 23 	B x 35 	C x 40  Φ7.8X30 mm	D x 6 	E x 10  Φ4X12 mm	F x 4  Φ4X35 mm
G x 17  Φ4X24 mm	H x 2 	I x 2 	J x 4 	K x 2 	L x 6 

AA x 1 	BB x 2 	CC x 6+2 extra  Φ4X10 mm	DD x 6+2 extra  Φ4X6 mm	
--	--	--	---	--



1



A x 2



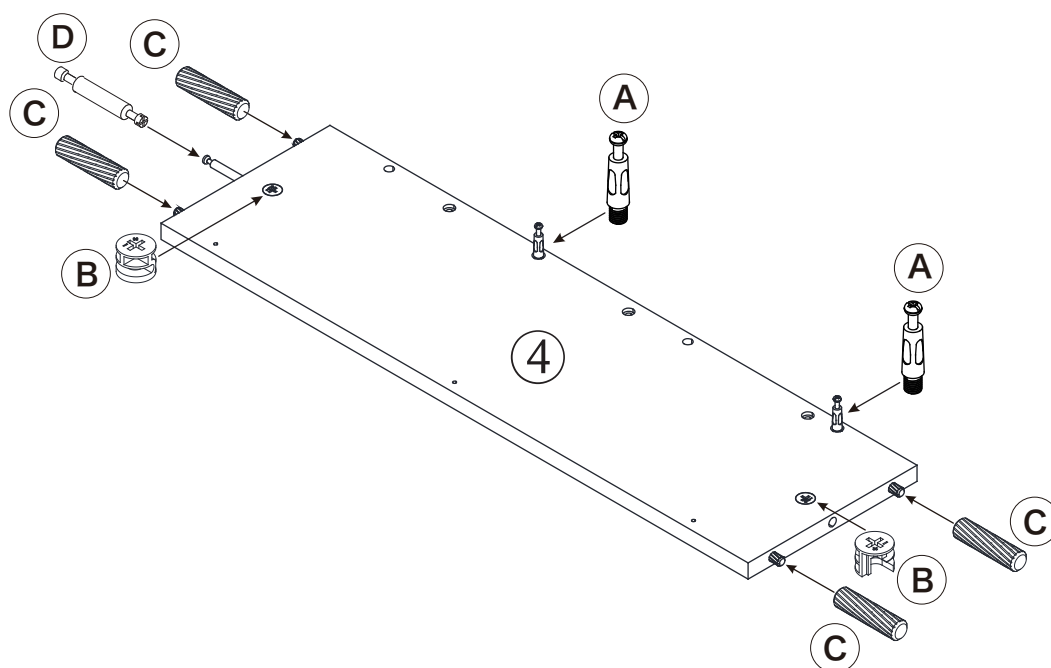
B x 2



C x 4



D x 1



2



A x 2



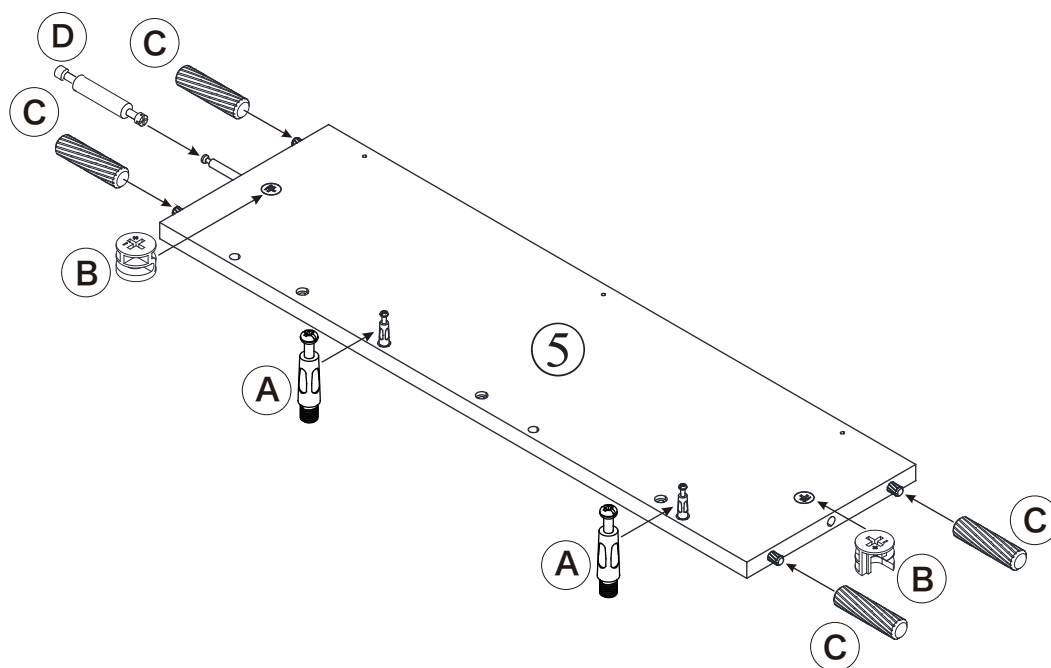
B x 2



C x 4



D x 1



3



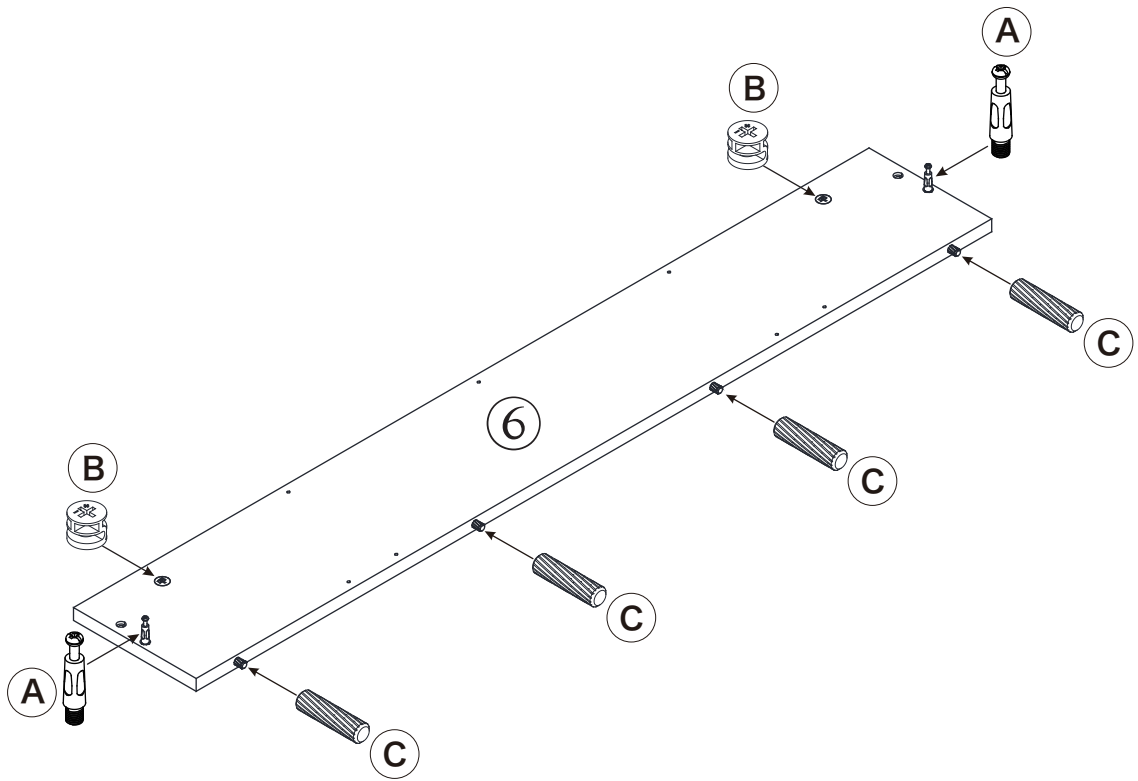
A x 2



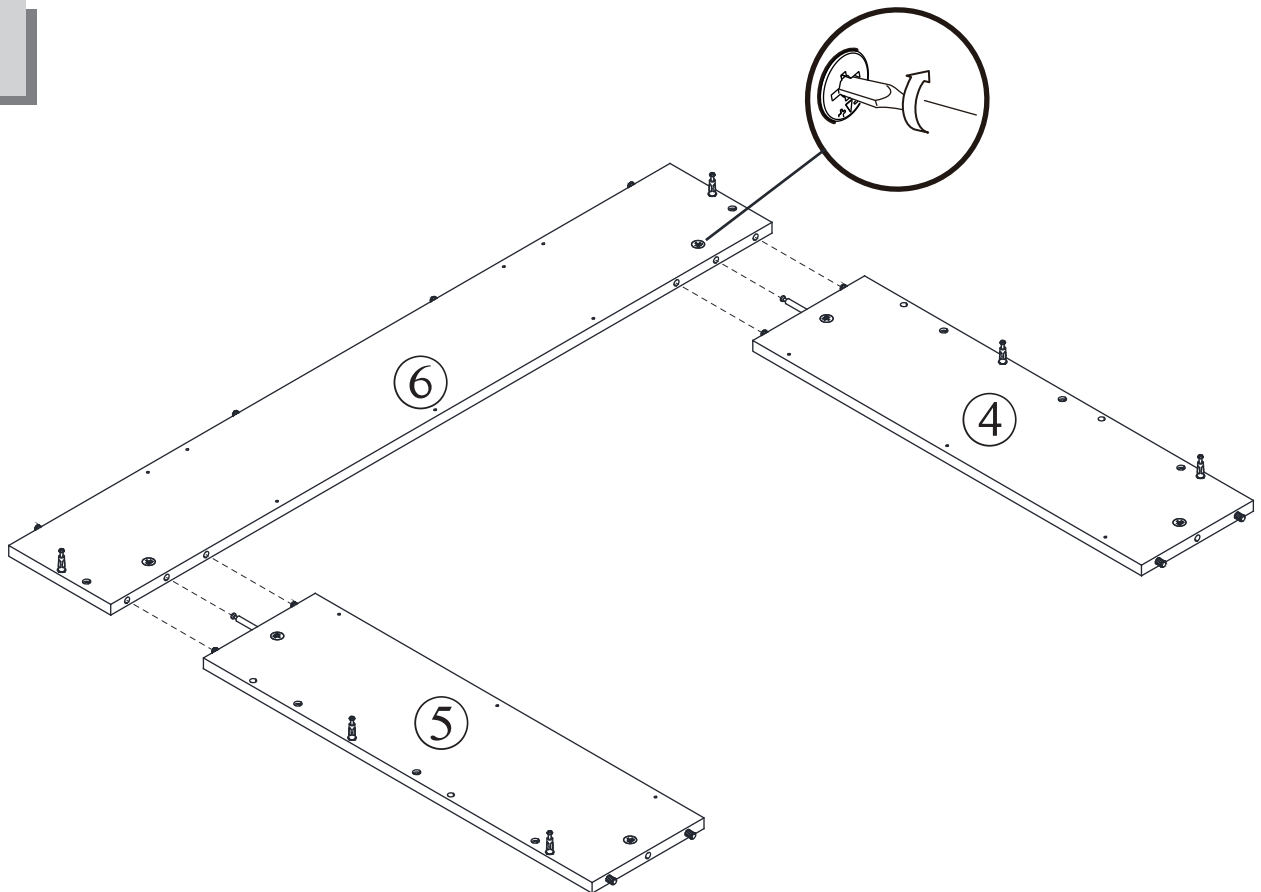
B x 2



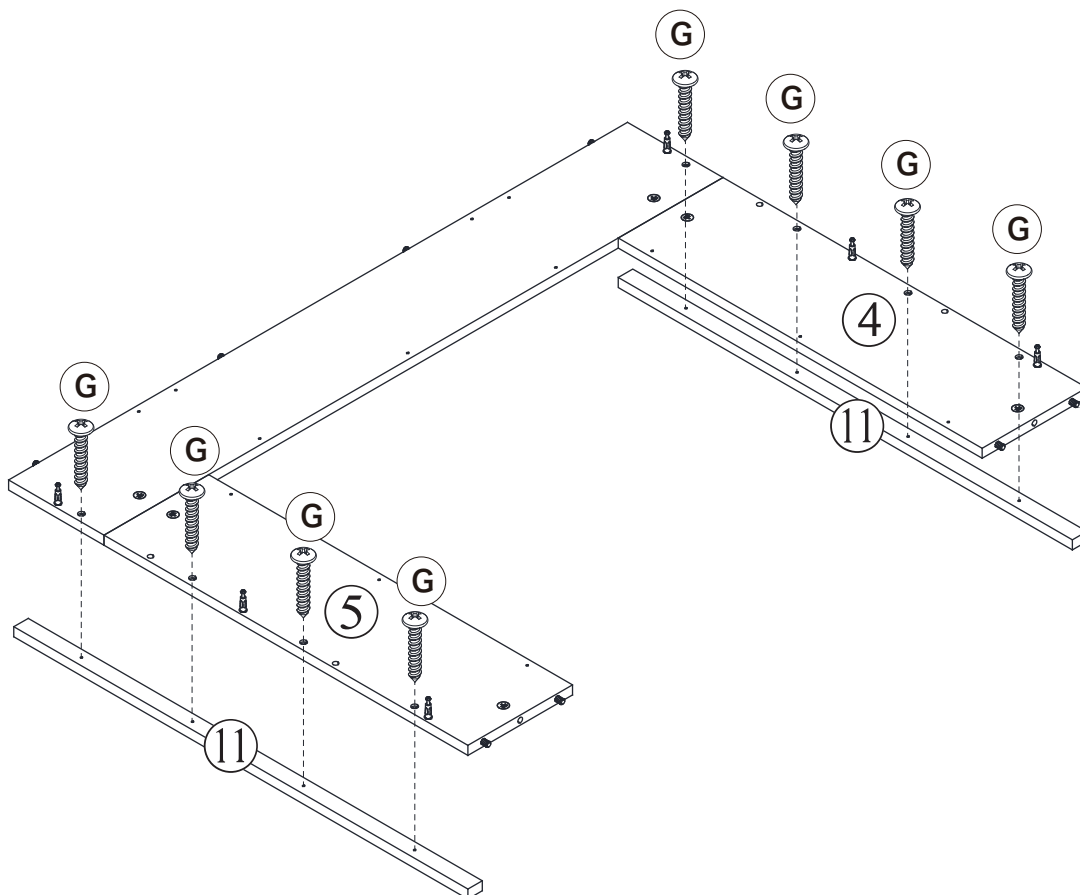
C x 4



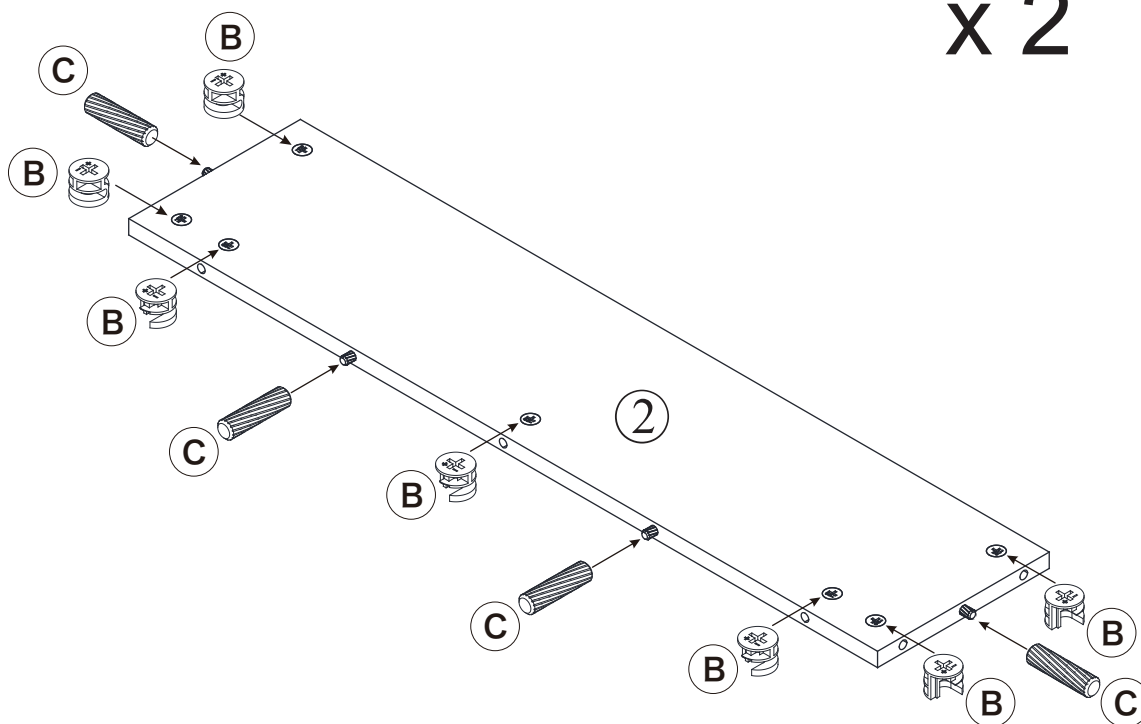
4



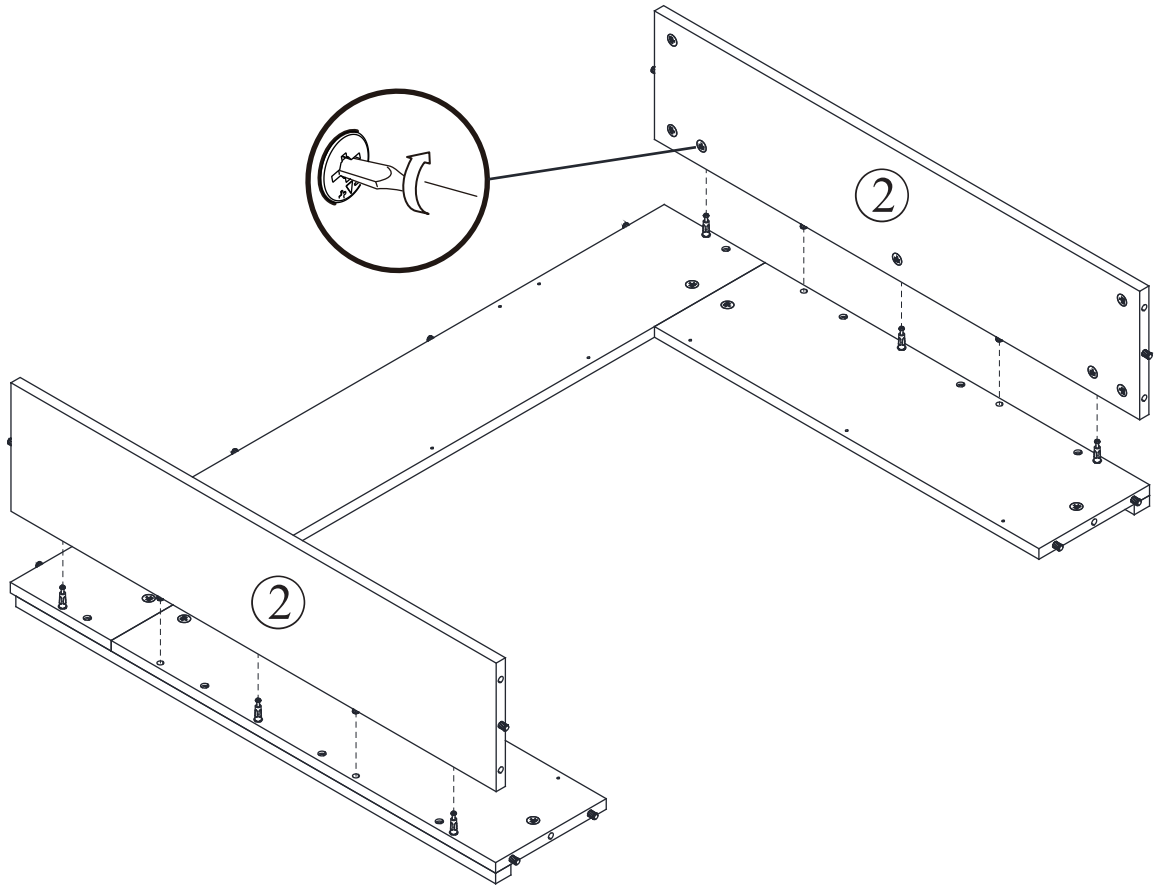
5



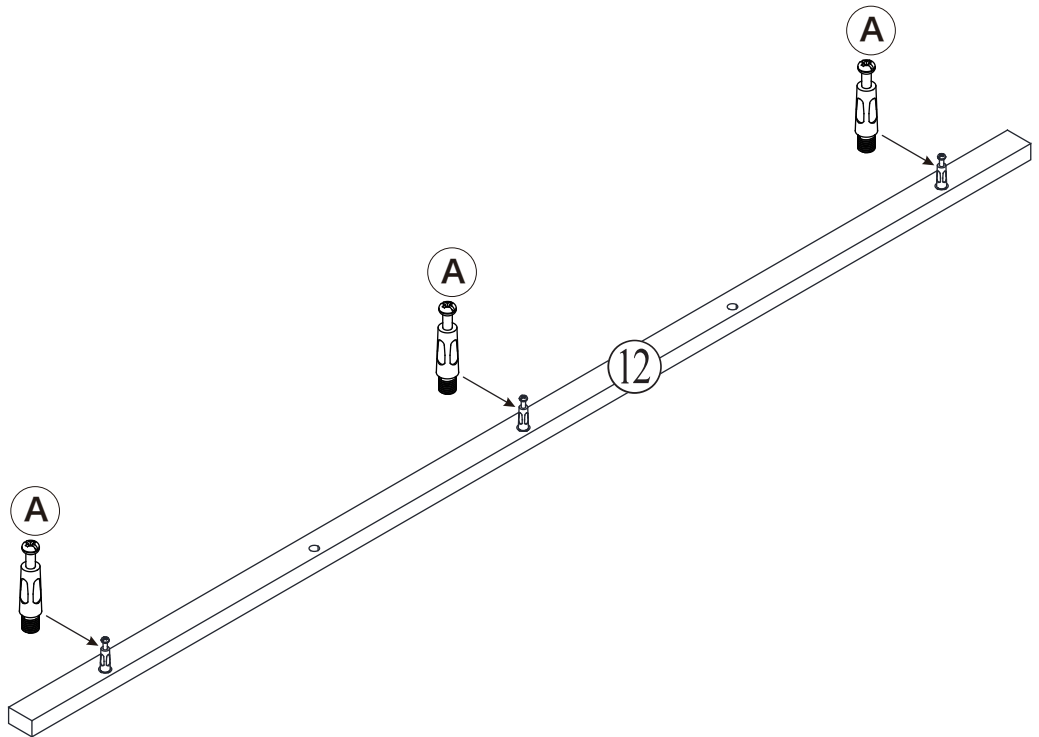
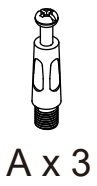
6



7



8



9



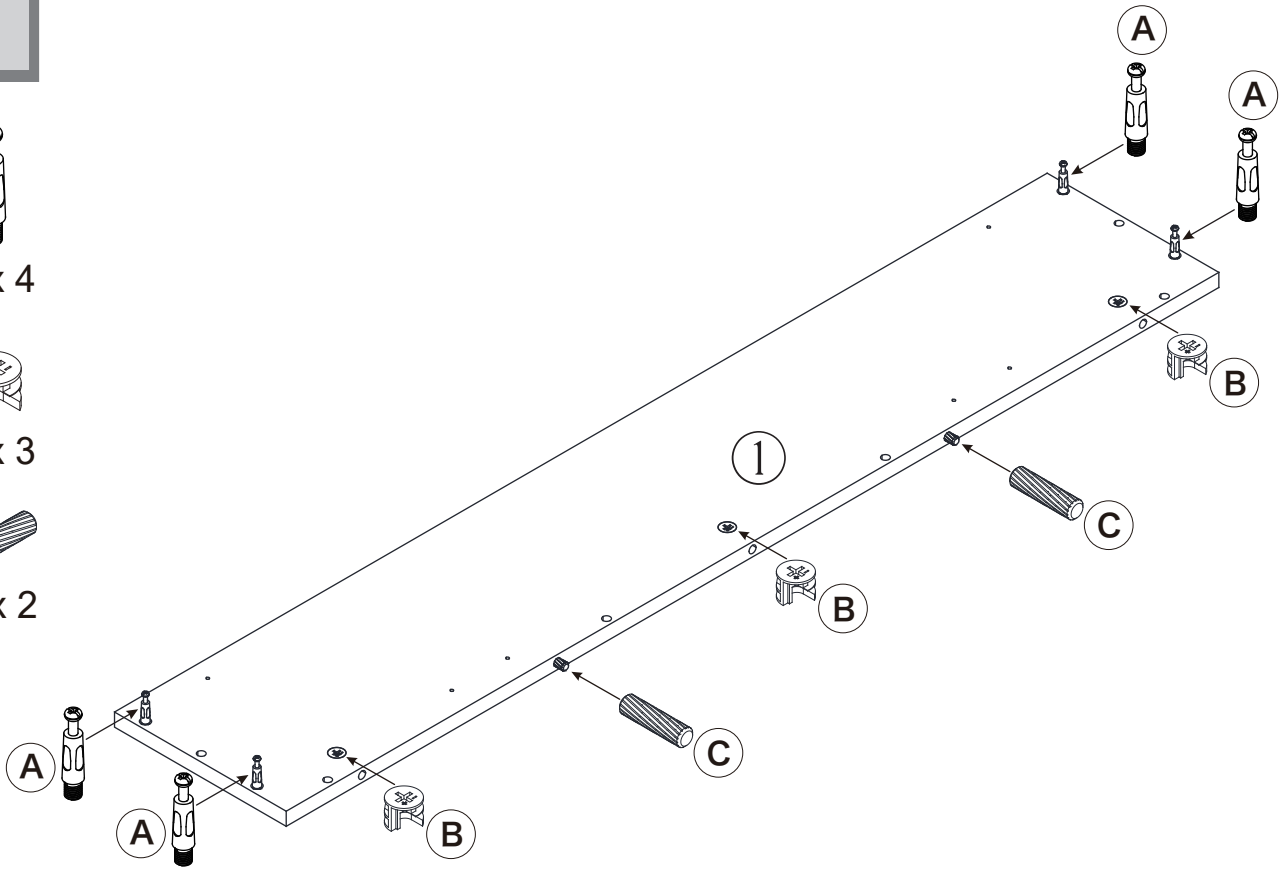
A x 4



B x 3



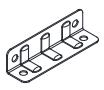
C x 2



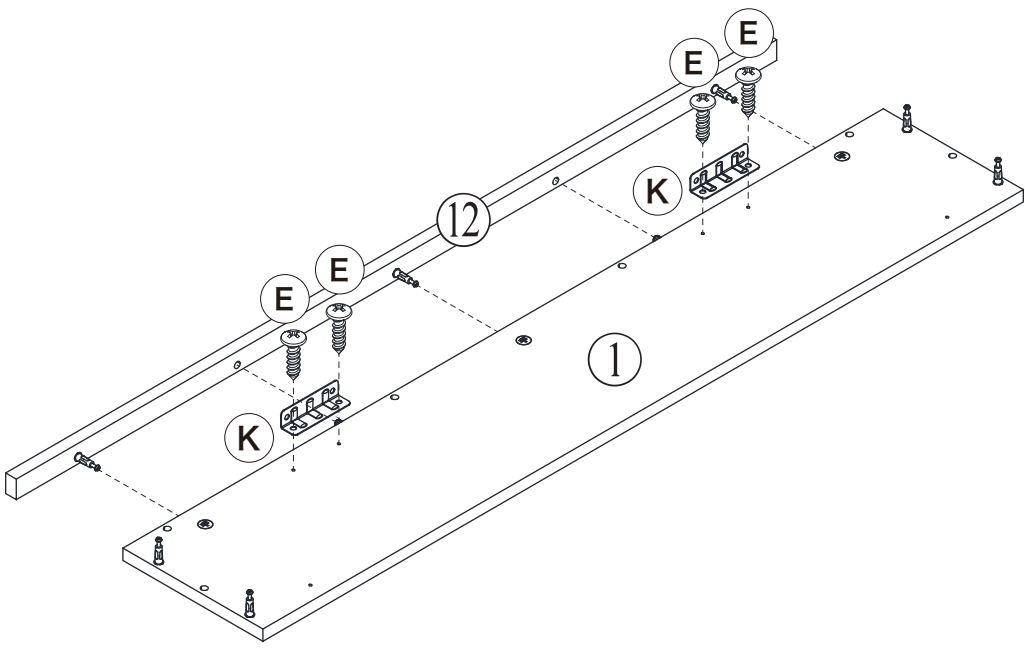
10



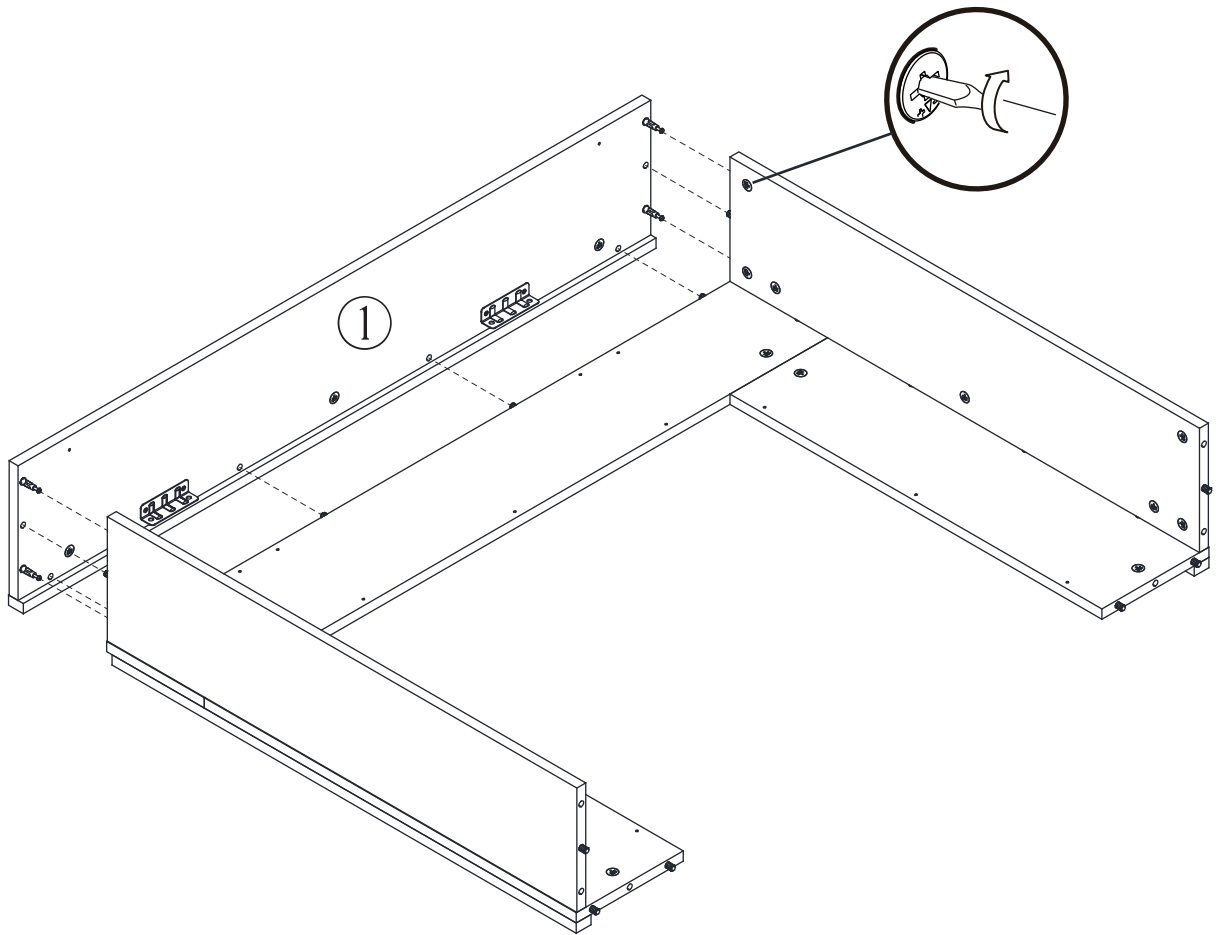
E x 4



K x 2



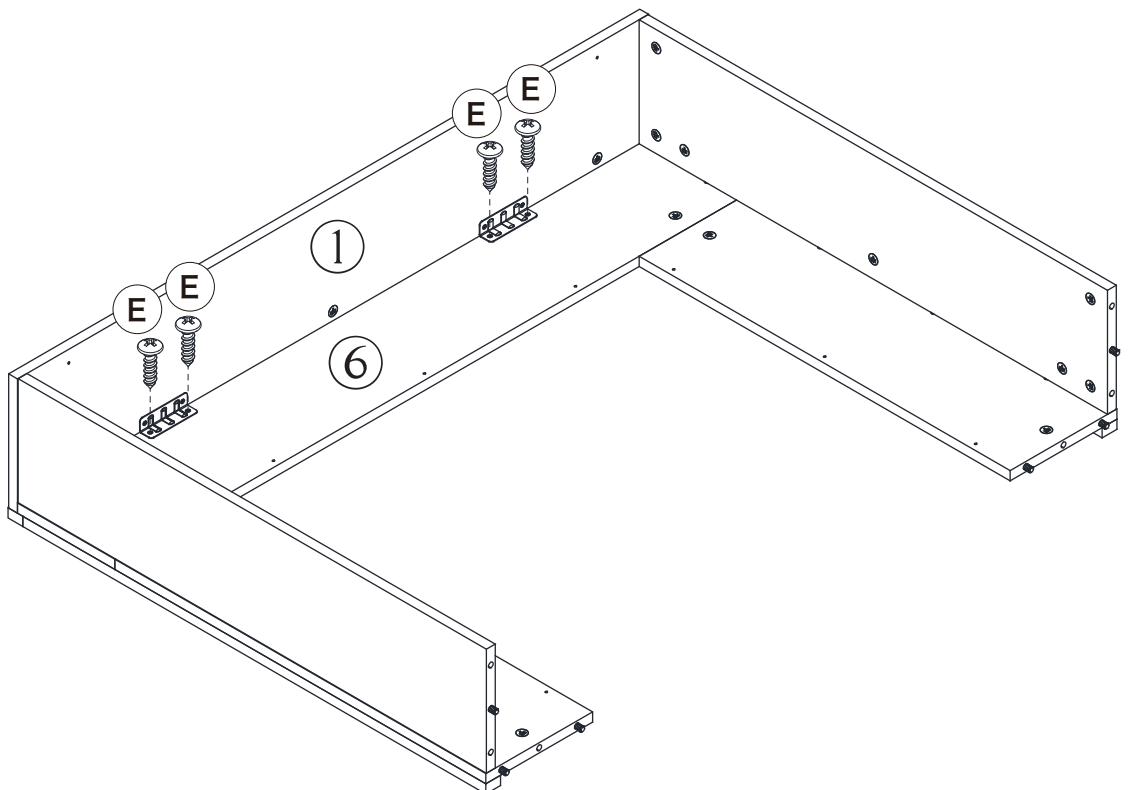
11



12



E x 4



13



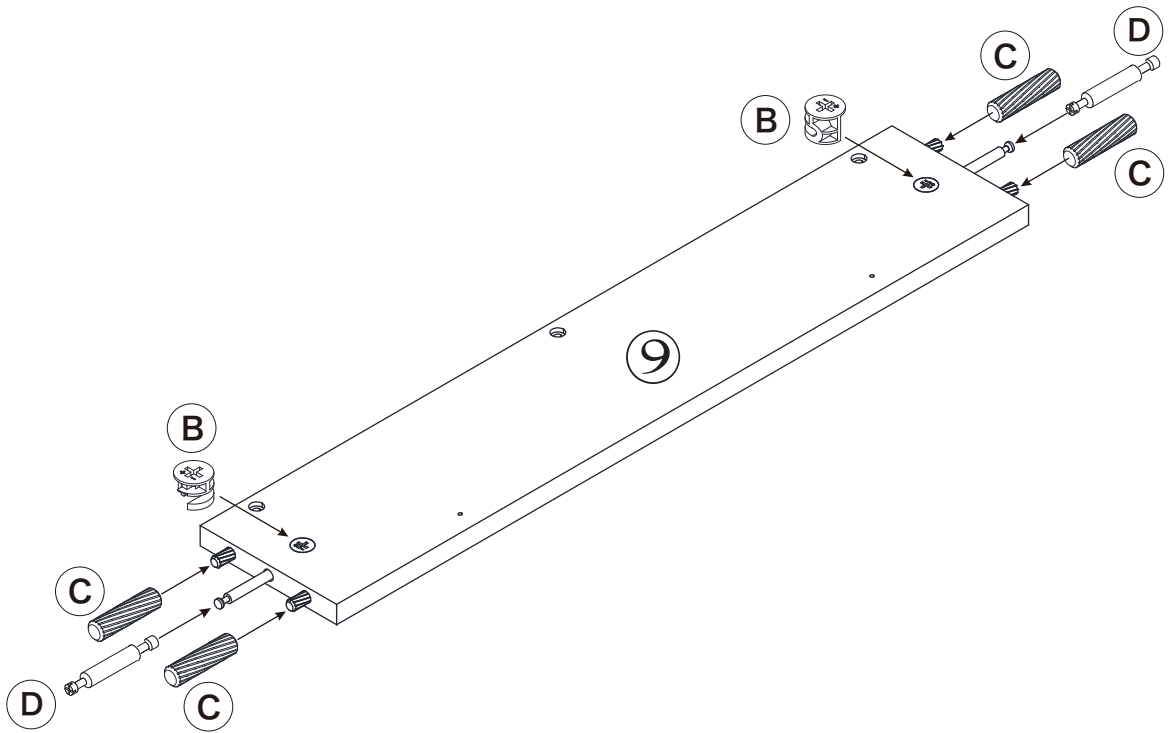
B x 2



C x 4



D x 2



14



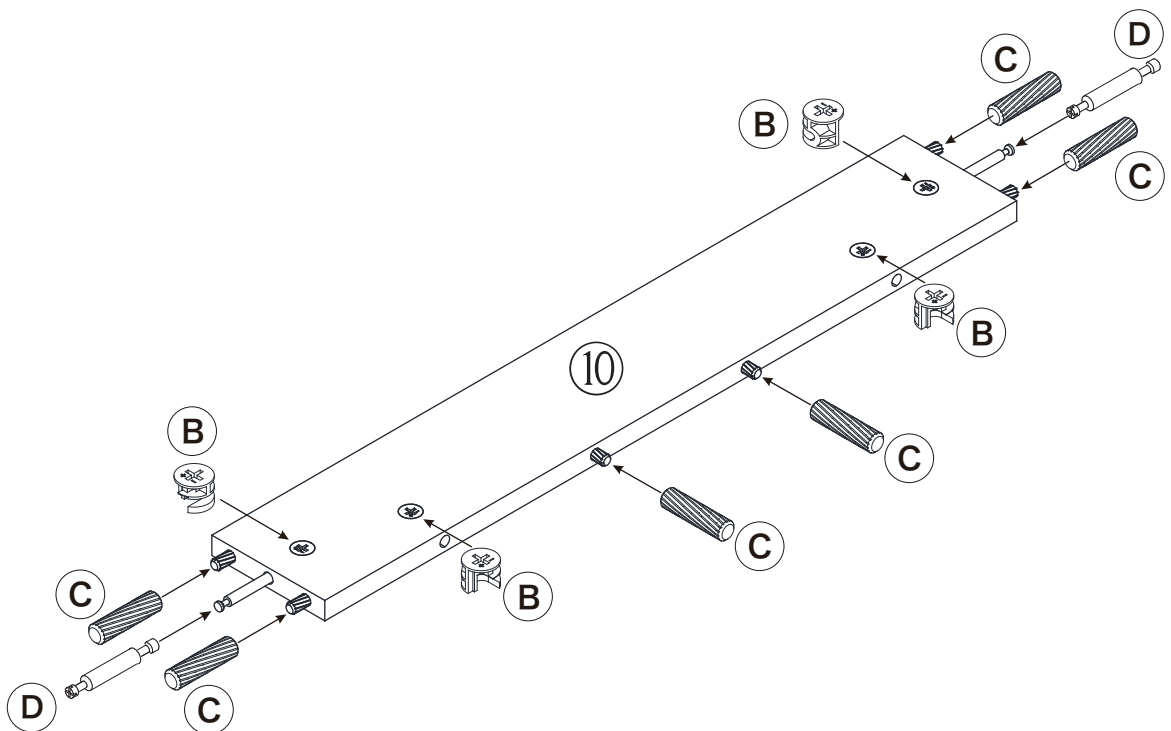
B x 4



C x 6



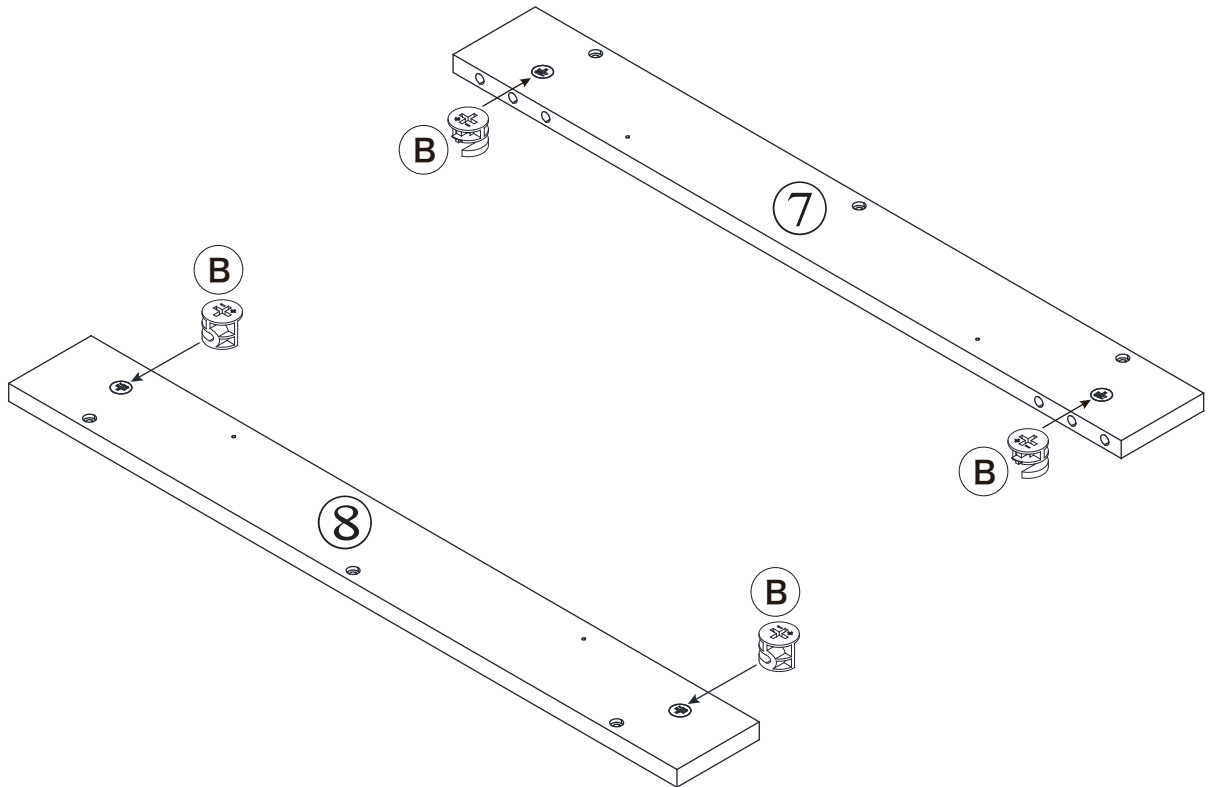
D x 2



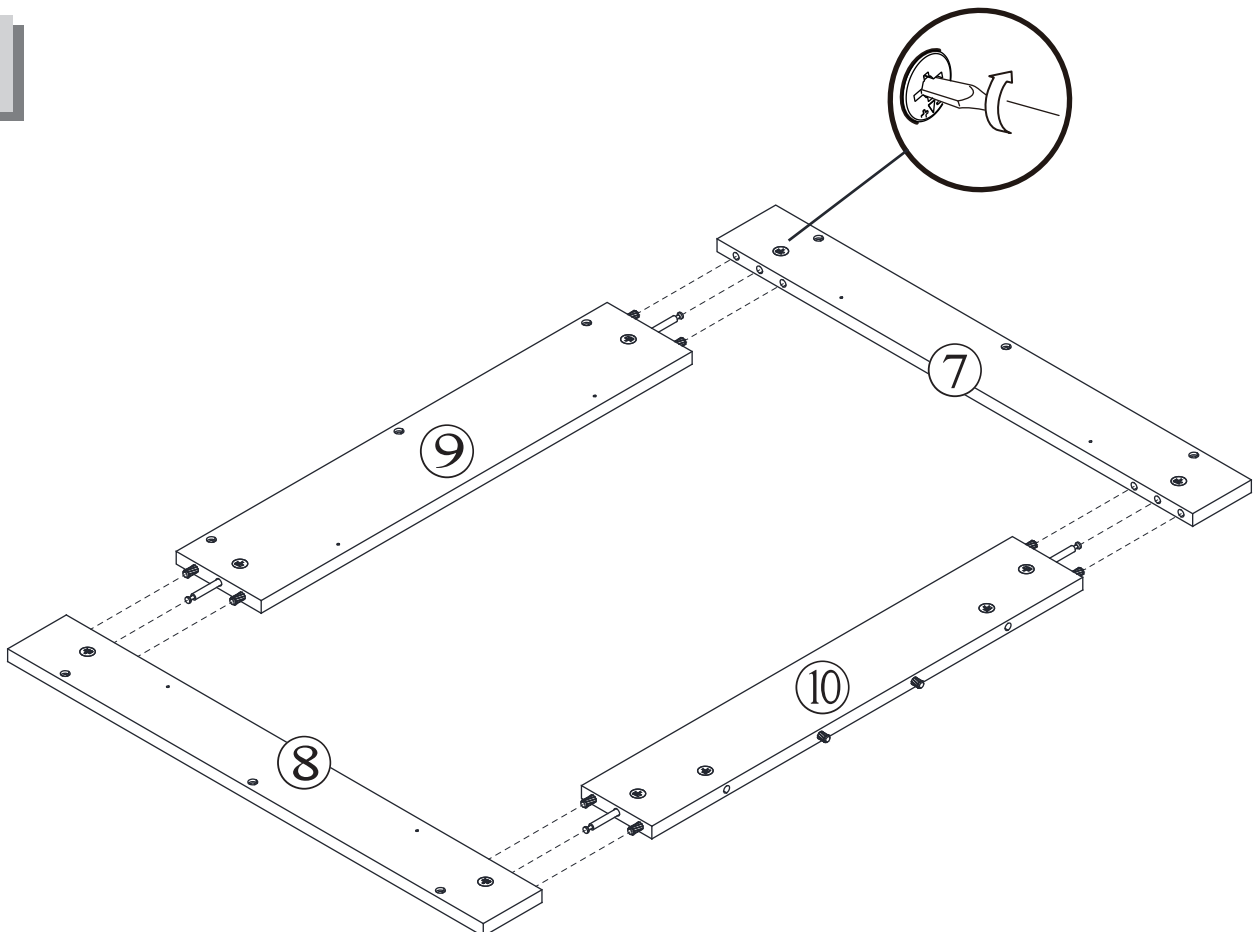
15



B x 4



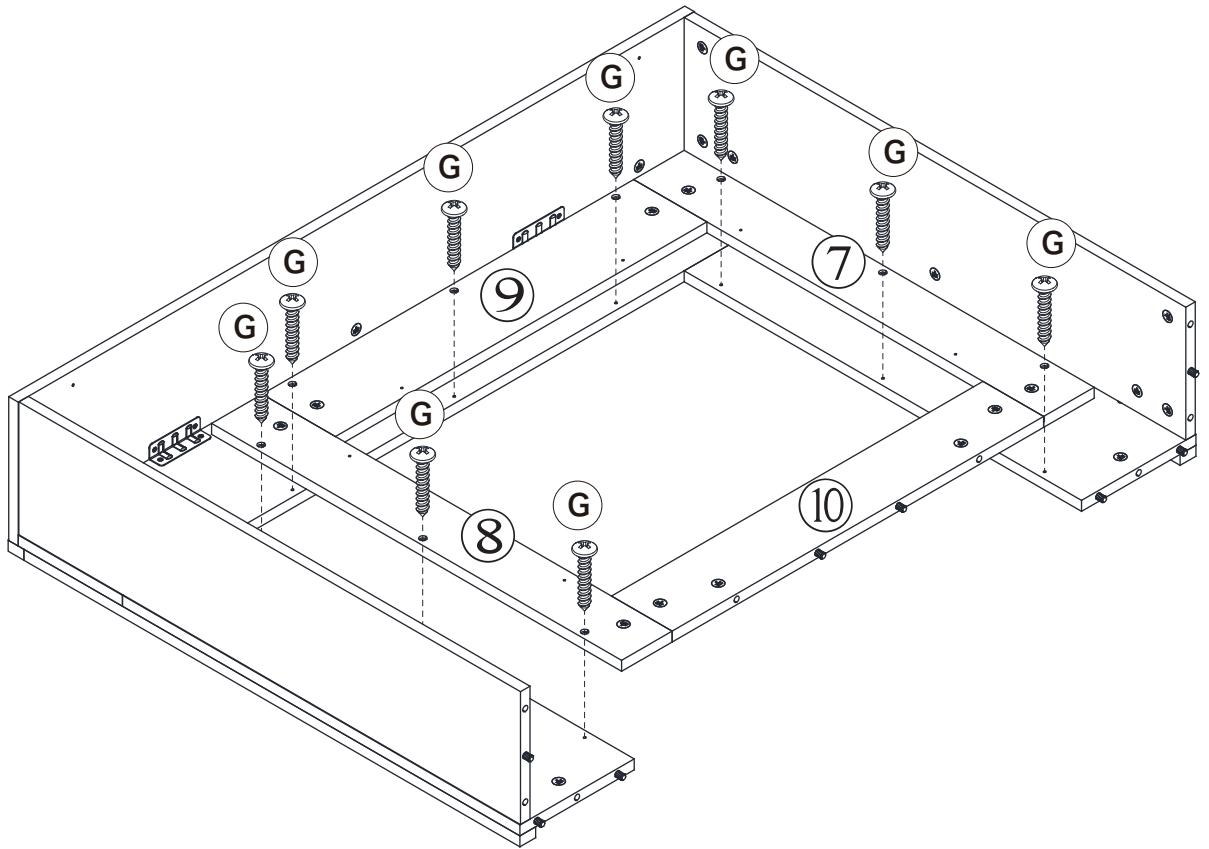
16



17



G x 9



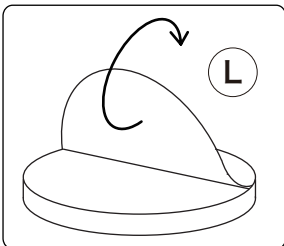
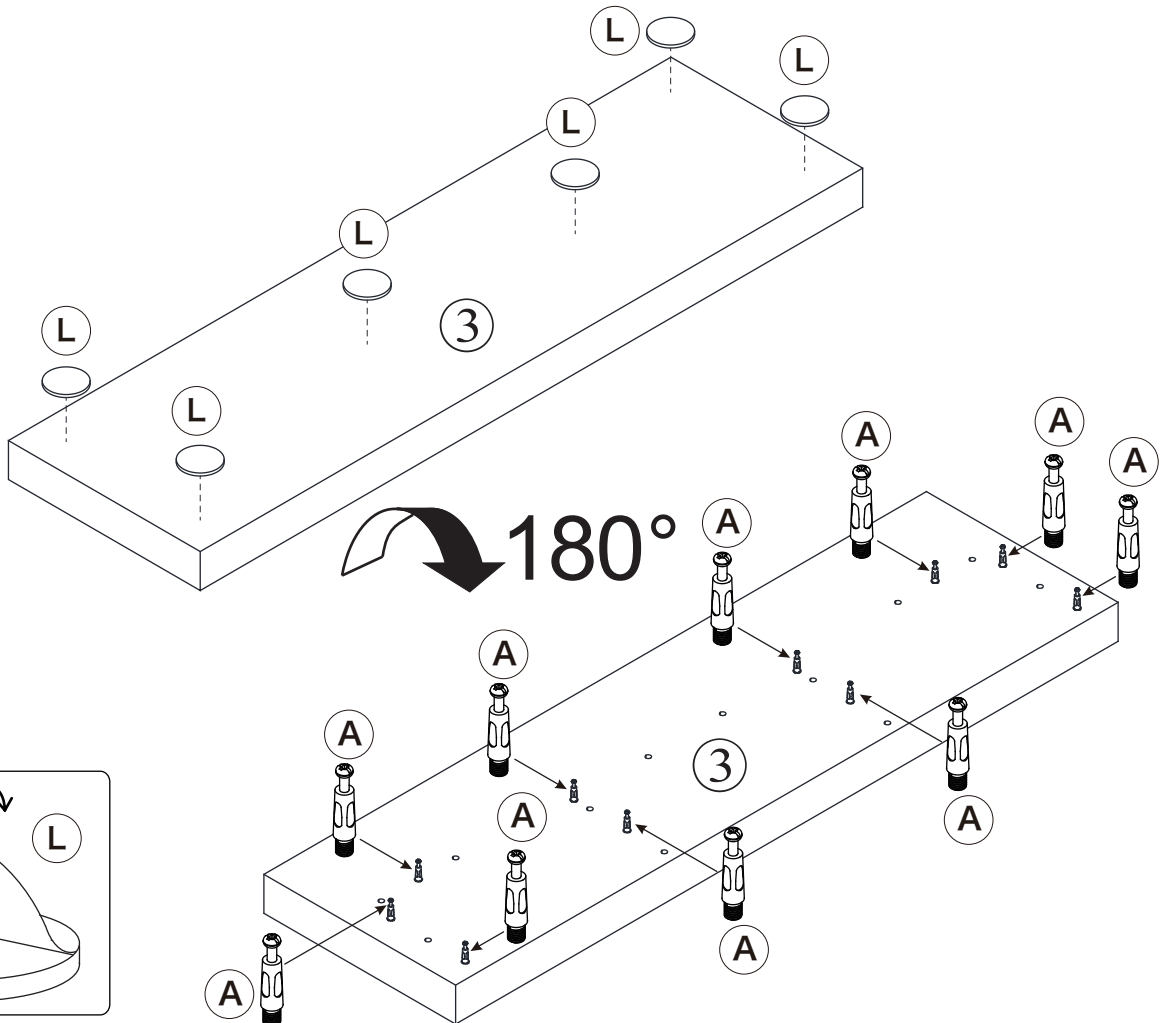
18



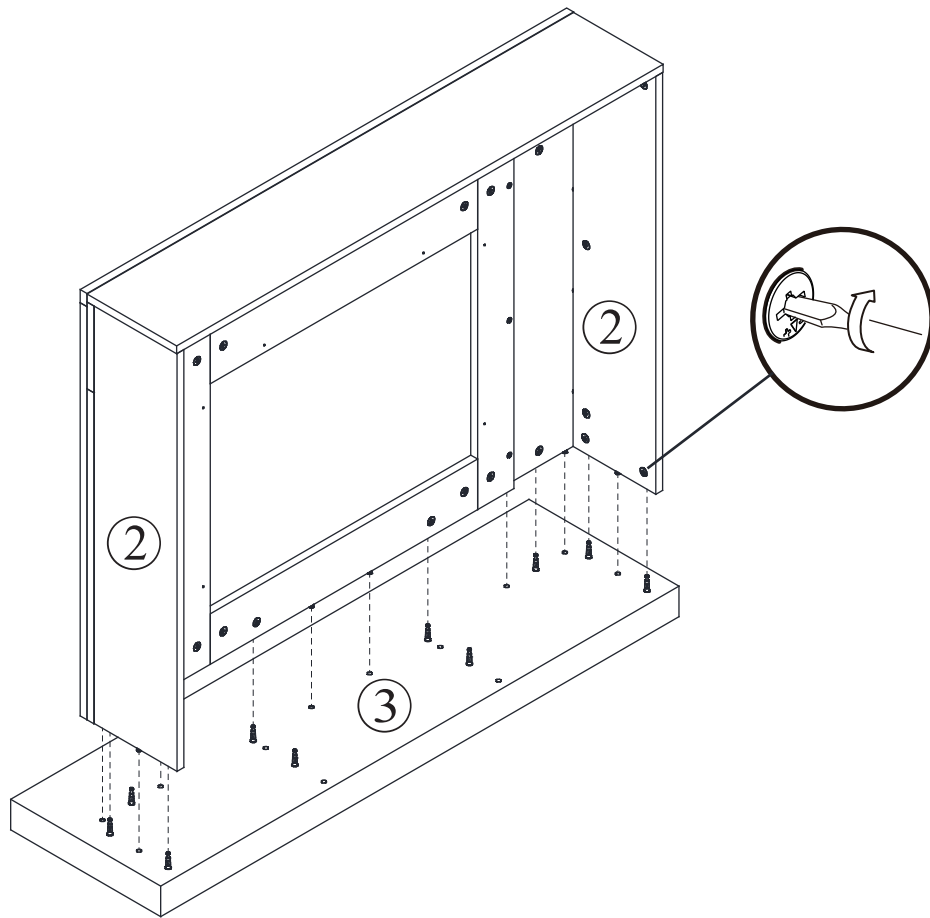
A x 10



L x 6



19



20

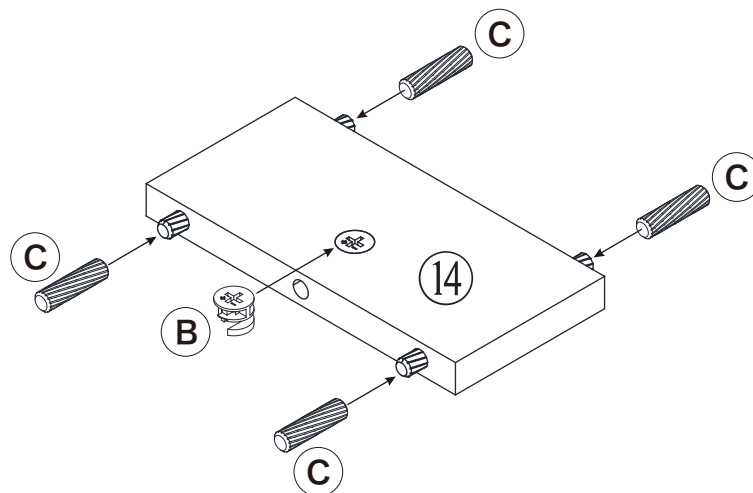
x 2



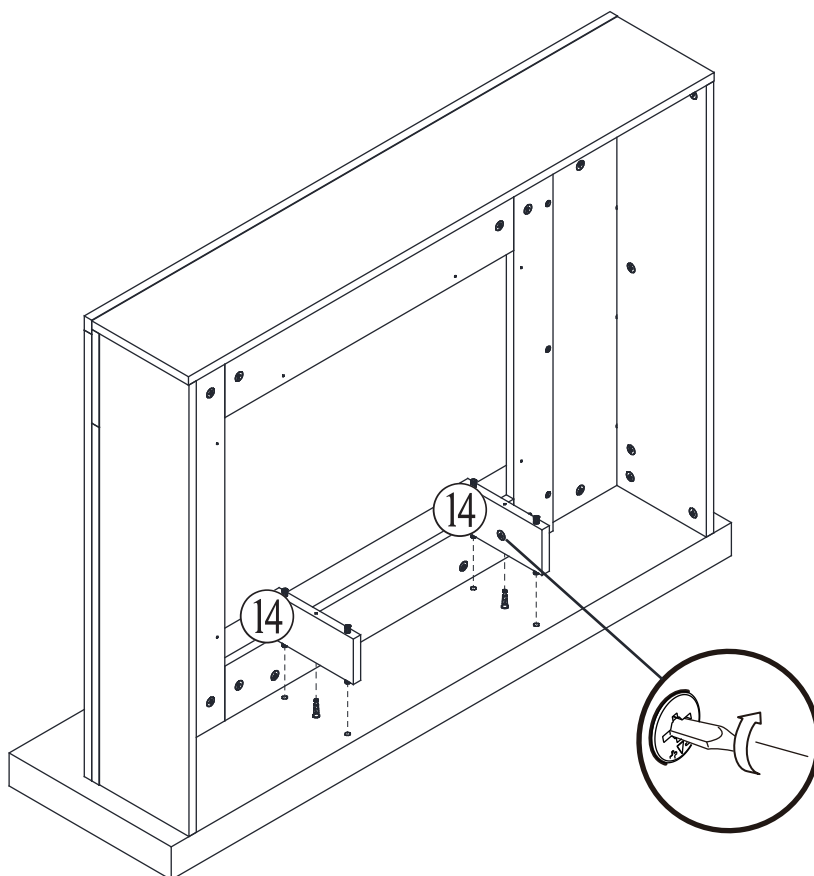
B x 2



C x 8



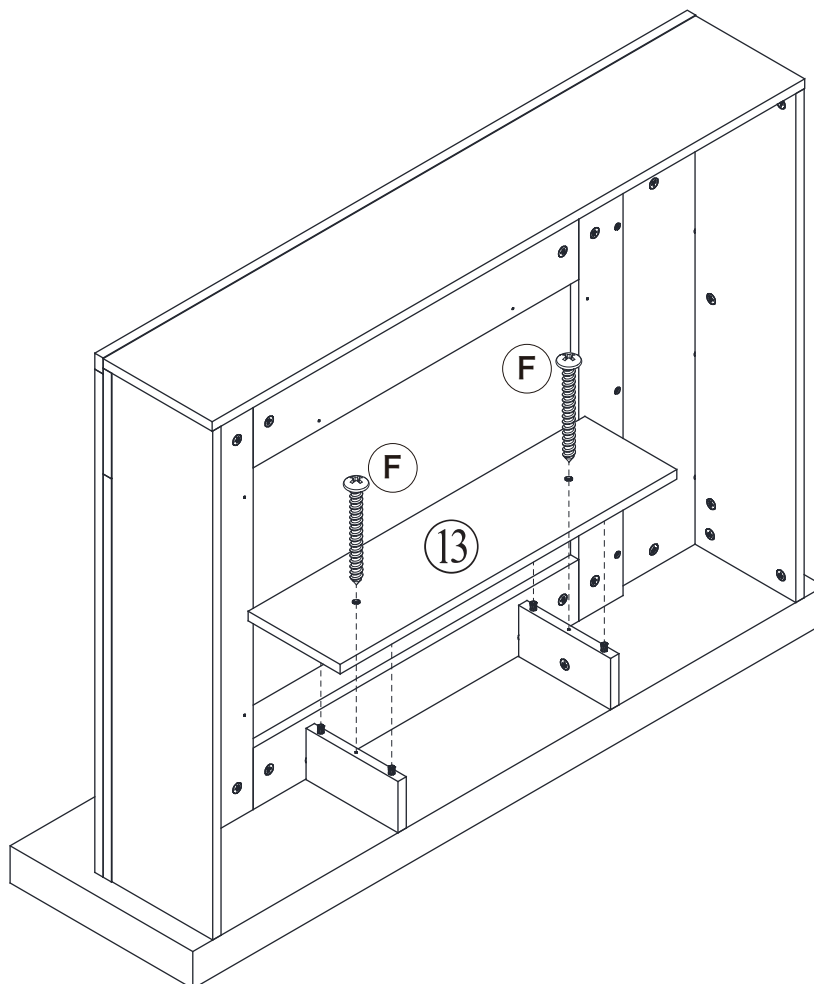
21



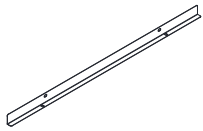
22



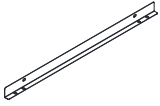
F x 2



23



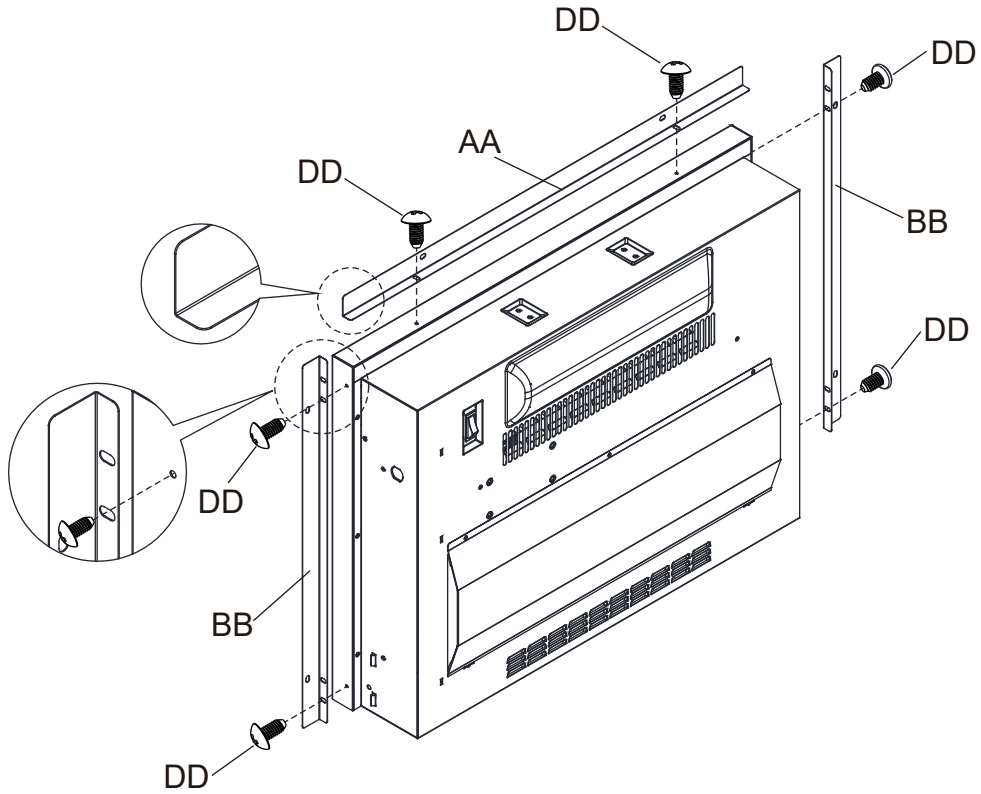
AA x 1



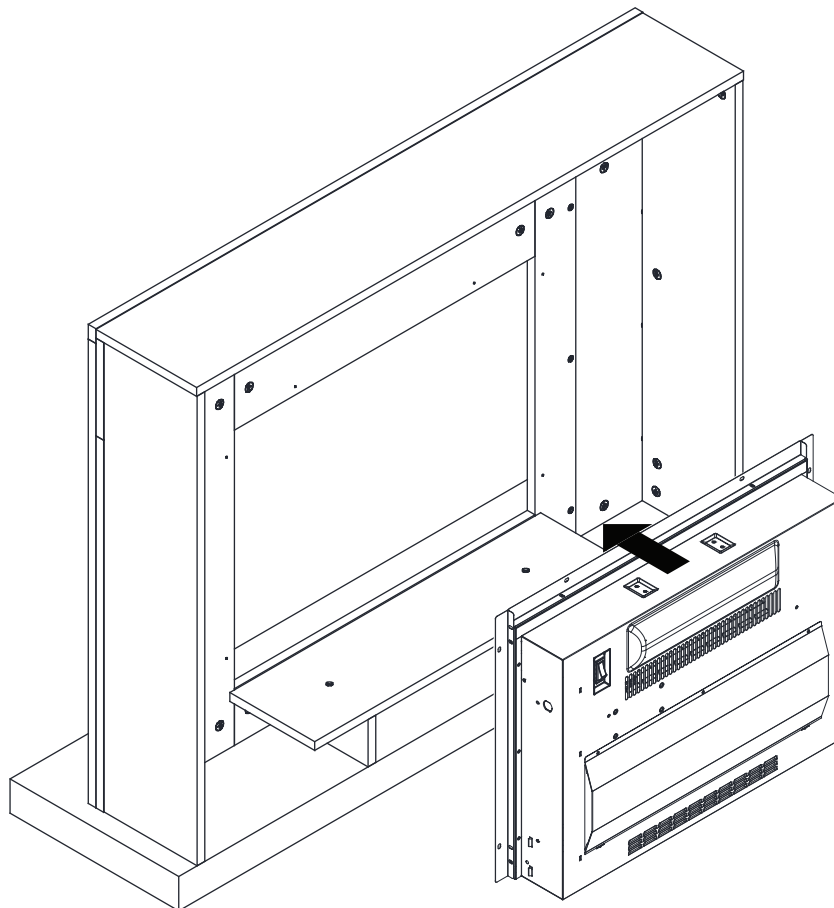
BB x 2



DD x 6



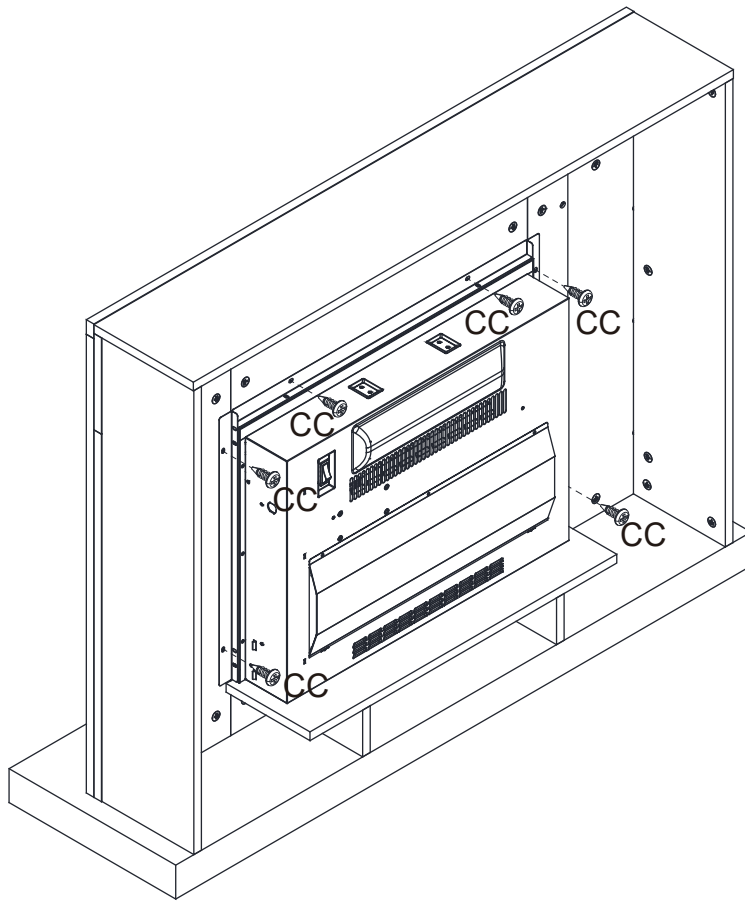
24



25



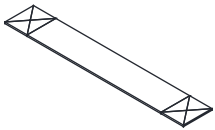
CC x 6



26



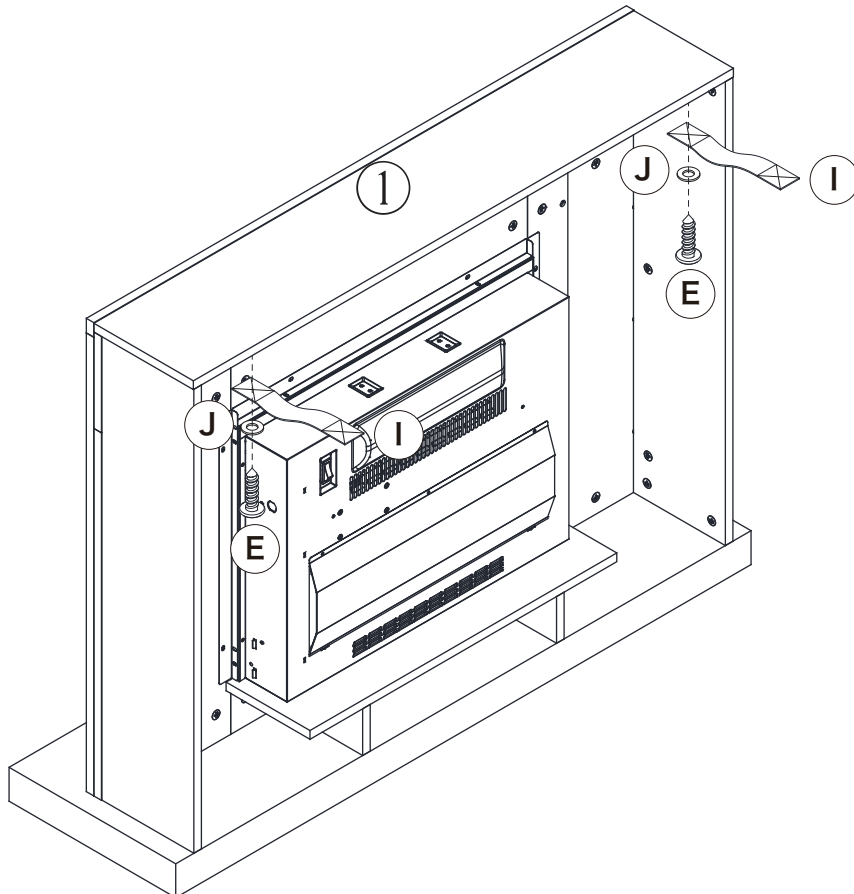
E x 2



I x 2

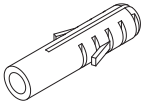


J x 2





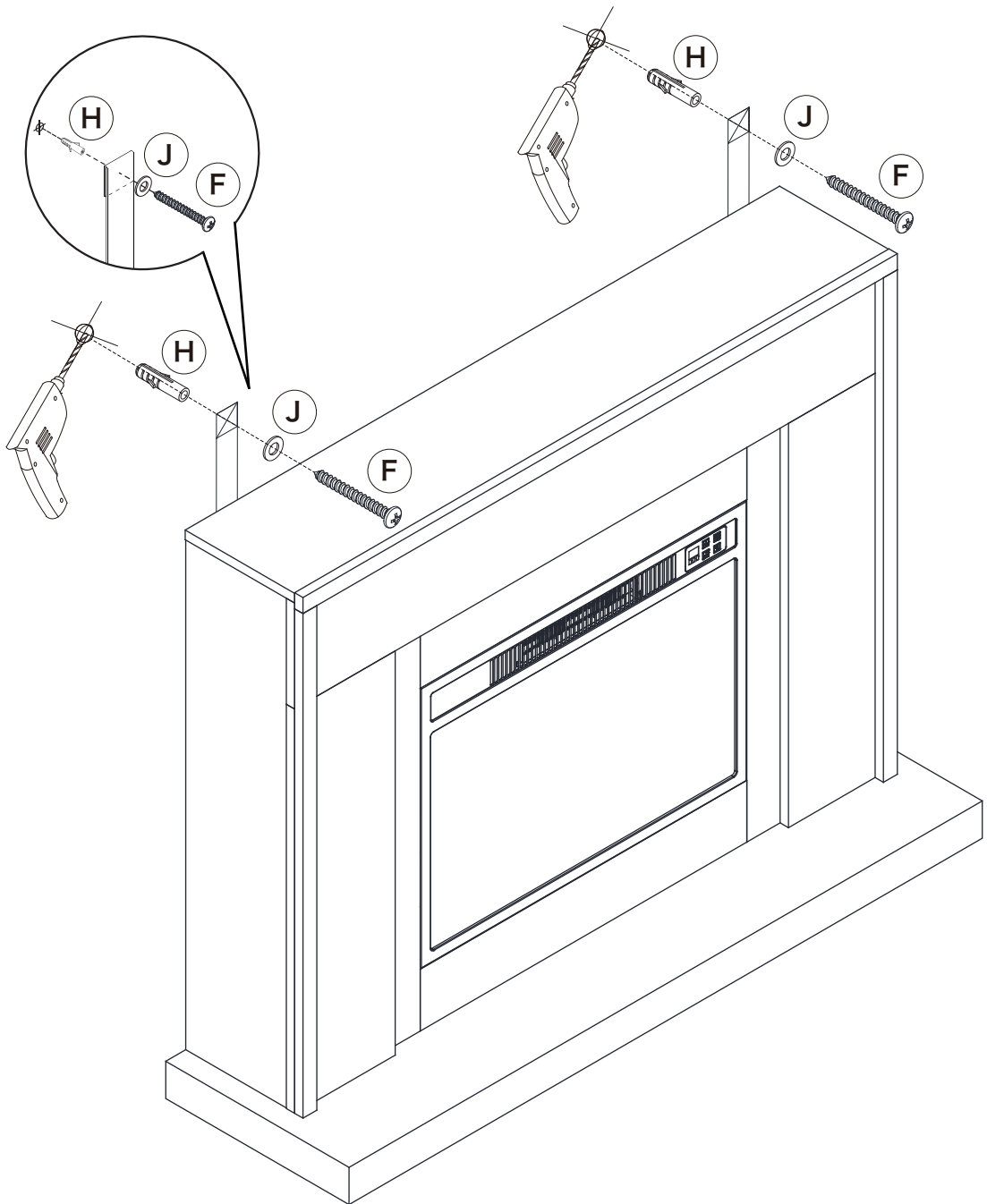
F x 2



H x 2



J x 2



Kovyx Outdoor, S.L

CIFB83904086

Avenida de Andalucía nº 208 A
Salida 24 dirección Madrid
28341 Valdemoro, Madrid

Tel: (+34) 911 34 50 46
E-mail: info@kovyx.com

Servicio Post-Venta
Tel: (+34) 918 09 62 29
E-mail: spv@kovyx.com