



CALEFACCIÓN

PATIO HEATER

REF: KT0584 - KT0585 - KT0586



WARNING SAFETY RULES

PLEASE READ THE FOLLOWING SAFETY RULES PRIOR TO OPERATION OF THE HEATER

FOR YOUR SAFETY

If you smell gas:

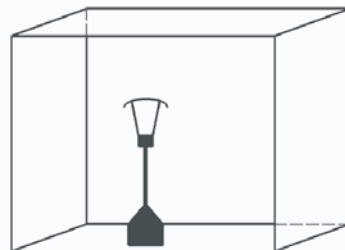
1. Shut off gas to the appliance.
2. Extinguish any open flame.
3. If odor continues, immediately call your gas supplier or your fire Department.

FOR YOUR SAFETY

1. Do not store or use gasoline or other flammable vapors and liquids in the vicinity of this or any other appliance.
2. An LP cylinder not connected for use shall not be stored in the vicinity of this or any other appliance.

WARNING

- 1) For use outdoors or in amply ventilated areas.
- 2) An amply ventilated area must have a minimum of 25 % of the surface area open.
- 3) The surface area is the sum of the walls surface.



WARNING: Improper installation, adjustment, alteration, service or maintenance Can cause injury or property damage. Read the installation, operating and maintenance instructions thoroughly before installing or servicing this equipment.

warning

Read the instructions before installation and use.

- This appliance must be installed and the gas cylinder stored in accordance with the regulations in force;
- Do not obstruct the ventilation holes of the cylinder housing;
- Do not move the appliance when in operation;
- Shut off the valve at the gas cylinder or the regulator before moving the appliance;
- The tubing or the flexible hose must be changed within the prescribed intervals;
- Use only the type of gas and the type of cylinder specified by the manufacturer;

The LP tank used with your patio heater must meet the following requirements:

Purchase LP tanks only with these required measurements:

(31.8cm) (diameter) x 58cm) (tall) with 15kg capacity maximum.

-In case of violent wind particular attention must be taken against tilting of the appliance; Keep the appliance at least 1m from the gas cylinder.

-The injector in this appliance is not removable and the injector is only assembled by manufacture. This appliance is forbidden to convert from one gas pressure to another pressure.

-Do not connect the gas cylinder directly to the appliance without regulator. Use only the type of gas and the type of cylinder specified in the instructions.

A regulator(complies with EN16129:2013 and the national regulation) of the correct pressure corresponding to the appliance category.

Use 30mbar regulator for butane/propane under the category I3B/P(30).

Use 30mbar regulator for butane under the category I3+(28-30/37).

Use 37mbar regulator for propane under the category I3+(28-30/37).

Use 50mbar regulator for butane/propane under the category I3B/P(50).

It's recommended to use flexible hose that approved by EN16436: 2014.

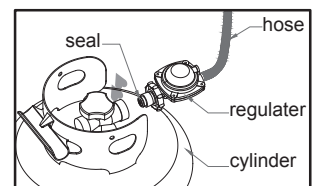
TABLE OF CONTENTS

Caution	1
Heater Stand and Location	2
Gas Requirements	2
Leakage Test	2
Operation and Storage	3
Cleaning and Care	4
Parts and Specifications	4
Assembly Parts and Procedures	6
Problems Check List	10

CAUTION

PLEASE READ CAREFULLY THE FOLLOWING SAFETY GUIDELINES BEFORE OPERATION.

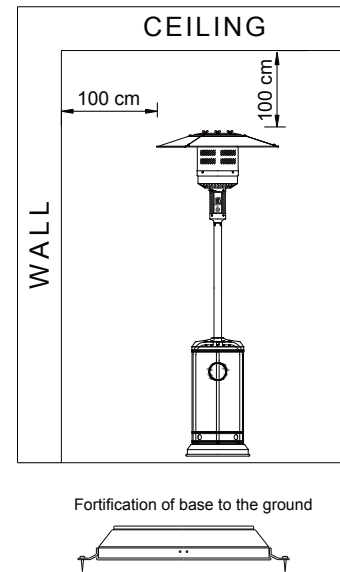
- Do not use the patio heater for indoors, as it may cause personal injury or property damage.
- This outdoor heater is not intended to be installed on recreational vehicles and/or boats.
- Installation and repair should be done by a qualified service person.
- Improper installation, adjustment, alteration can cause personal injury or property damage.
- Do not attempt to alter the unit in any manner.
- Never replace or substitute the regulator with any regulator other than the factory-suggested replacement.
- Do not store or use gasoline or other flammable vapors or liquids in the heater unit.
- The whole gas system, hose, regulator, pilot or burner should be inspected for leaks or damage before use, and at least annually by a qualified service person.
- All leak tests should be done with a soap solution. Never use an open flame to check for leaks.
- Do not use the heater until all connections have been leak tested.
- Turn off the gas valve immediately if smell of gas is detected. Turn Cylinder Valve OFF. If leak is at Hose/Regulator connection: tighten connection and perform another leak test. If bubbles continue appearing should be returned to hose's place of purchase. If leak is at Regulator/Cylinder Valve connection: disconnect, reconnect, and perform another leak check. If you continue to see bubbles after several attempts, cylinder valve is defective and should be returned to cylinder's place of purchase.
- Do not transport heater while it's operating.
- Do not move the heater after it has been turned off until the temperature has cooled down.
- Keep the ventilation opening of the cylinder enclosure free and clear of debris.
- Do not paint the radiant screen, control panel or top canopy reflector.
- Control compartment, burner and circulation air passageways of the heater must be kept clean. Frequent cleaning may be required as necessary.
- The LP tank should be turned off when the heater is not in use.
- Check the heater immediately if any of the following occurs:
 - The heater does not reach temperature.
 - The burner makes popping noise during use (a slight noise is normal when the burner is extinguished).
 - Smell of gas in conjunction with extreme yellow tipping of the burner flames.
- The LP regulator/hose assembly must be located out of pathways where people may trip over it or in area where the hose will not be subject to accidental damage.
- Any guard or other protective device removed for servicing the heater must be replaced before operating the heater.
- Adults and children should stay away from high temperature surface to avoid burns or clothing ignition.
- Children should be carefully supervised when they are in the area of the heater.
- Clothing or other flammable materials should not be hung on the heater or placed on or near the heater.
- To change the gas cylinder in a amply ventilated area, away from any ignition source (candle, cigarettes, other flame producing appliances, ...);
- To check that the regulator seal is correctly fitted and able to fulfill its function showed as photo right;
- To not obstruct the ventilation holes of the cylinder housing;
- To close the gas supply at the valve of the gas cylinder or the regulator after use;
- In the event of gas leakage, the appliance shall not be used or if alight, the gas supply shall be shut off and the appliance shall be investigated and rectified before it is used again;
- To check the hose at least once per month, each time the cylinder is changed, or each time before long time no use. If it shows signs of cracking, splitting or other deterioration it shall be exchanged for new hose of the same length and of the equivalent quality;
- The use of this appliance in enclosed areas can be dangerous and is PROHIBITED;
- Read the instructions before using this appliance. The appliance must be installed in accordance with the instructions and local regulations.
- For connection of hose and regulator, and connection of regulator and hose, please refer to photo showed above.



Hose/ Regulator connection and
Regulator / Cylinder connection

HEATER STAND AND LOCATION

- The heater is primarily for outdoor use only. Always ensure that adequate fresh air ventilation is provided.
- Always maintain proper clearance to combustible materials, i.e. top 100 cm and sides 100 cm minimum.
- Heater must be placed on level firm ground.
- Never operate heater in an explosive atmosphere like in areas where gasoline or other flammable liquids or vapors are stored.
- To protect heater from strong wind, anchor the base securely to the ground with screws.



GAS REQUIREMENTS

- Use propane or butane gas only.
- The pressure regulator and hose assembly to be used must conform to local standard codes.
- The installation must conform to local codes, or in the absence of local codes, with the standard for the storage and handling of liquid petroleum gases.
- A dented, rusted or damaged propane tank may be hazardous and should be checked by your tank supplier. Never use a propane tank with a damaged valve connection.
- The propane tank must be arranged to provide for vapor withdrawal from the operating cylinder.
- Never connect an unregulated propane tank to the heater.

LEAKAGE TEST

Gas connections on the heater are leak tested at the factory prior to shipment. A complete gas tightness check must be performed at the installation site due to possible mishandling in shipment or excessive pressure being applied to the heater.

- Make a soap solution of one part liquid detergent and one part water. The soap solution can be applied with a spray bottle, brush or rag. Soap bubbles will appear in case of a leak.
- The heater must be checked with a full cylinder.
- Make sure the safety control valve is in the OFF position.
- Turn the gas supply ON.
- In case of a leak, turn off the gas supply. Tighten any leaking fittings, then turn the gas supply on and re-check.
- Never leak test while smoking.

OPERATION AND STORAGE

TO TURN ON THE HEATER

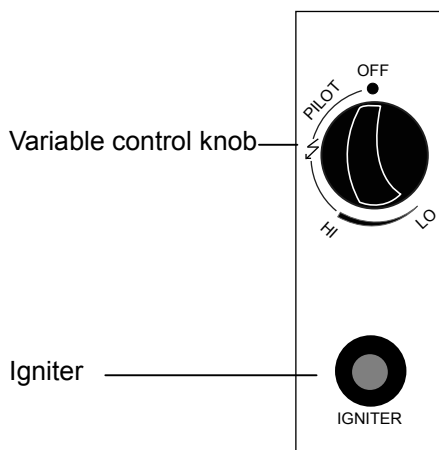
1. Turn on the valve on the gas supply cylinder completely.
2. Press and turn the variable control knob to PILOT position (counter-clockwise 90°).
3. Press down the variable control knob and hold for 90 seconds. While holding down the variable control knob, press the igniter button several times until the pilot flame lights. Release the variable control knob after the pilot flame lights.

Note:

- If a new tank has just been connected, please allow at least one minute for the air in the gas pipeline to purge out through the pilot hole.
 - When lighting the pilot flame make sure that the variable control knob is continuously pressed down while pressing the igniter button. Variable control knob can be released after the pilot flame lights.
 - Pilot flame can be watched and checked from the small round window with sliding lid located at the bottom of the flame screen (to the left or right side of the controller).
 - If the pilot flame does not light or it goes out, repeat step 3.
4. After the pilot flame lights, turn the variable control knob to maximum position and leave it there for 5 minutes or more before turning the knob to desired temperature position.

TO TURN OFF THE HEATER

1. Turn the variable control knob to PILOT position.
2. Press and turn the variable control knob to OFF position.



OFF: the heater stop work
HI: maximum temperature position
LO: minimum temperature position

3. Turn off the valve on the gas supply cylinder completely.

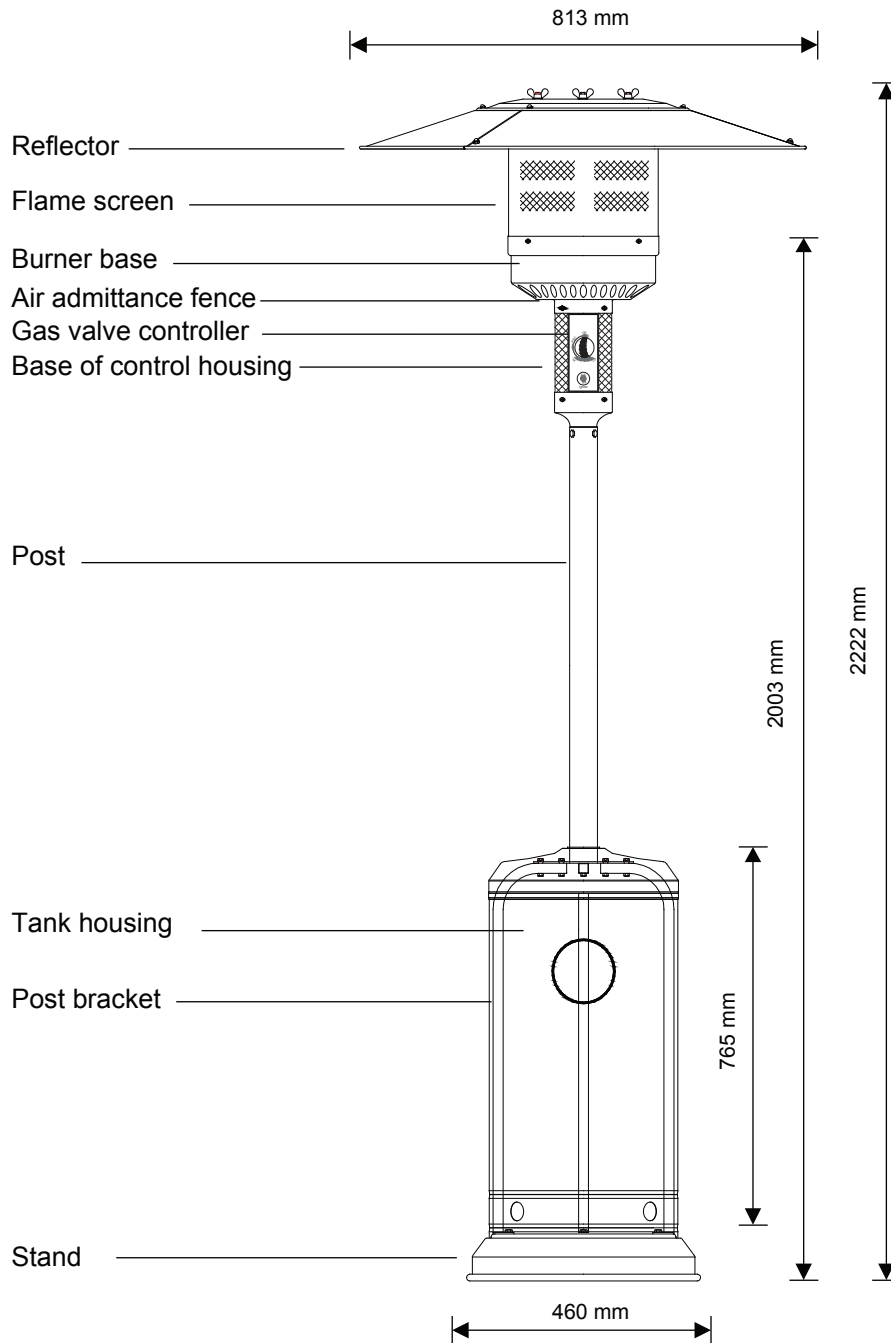
Storage

1. Always close the gas valve of the gas cylinder after use or in case of a disturbance.
2. Remove the pressure controller and the hose.
3. Check the tightness of the gas valve and for damage. If you suspect a damage, have it changed by your gas dealer.
4. Never store liquid gas cylinder in a sub-terrain, or at places without adequate air ventilation.

CLEANING AND CARE

- Wipe off powder coated surfaces with soft, moist rag. Do not clean heater with cleaners that are combustible or corrosive.
- Remove debris from the burner to keep it clean and safe for use.
- Cover the burner unit with the optional protective cover when the heater is not in use.

PARTS AND SPECIFICATIONS



A. Construction and characteristics

- Transportable terrace/garden heater with tank housing
- Casing in steel with powder-coating or stainless steel
- Gas hose connections with metal clamp (screw caps for Germany)
- Heat emission from reflector

B. Specifications

- Use propane, butane or their mixtures gas only.
- Max. wattage: 13000 watts
- Min. wattage: 5000 watts
- Consumption:

APPLIANCE CATEGORY:	I ₃₊ (28-30/37)		I _{3B/P} (30)	I _{3B/P} (50)	I _{3B/P} (37)
TYPES OF GAS:	Butane	Propane	Butane, propane or their mixtures	Butane, propane or their mixtures	Butane, propane or their mixtures
GAS PRESSURE:	28-30mbar	37 mbar	30 mbar	50mbar	37mbar
OUTLET PRESSURE OF REGULATOR:	30mbar	37 mbar	30 mbar	50mbar	37mbar

- Using the proper regulator according to outlet pressure of regulator as showed in the table above.

C. Table of injector

APPLIANCE CATEGORY:	I ₃₊ (28-30/37)		I _{3B/P} (30)	I _{3B/P} (50)	I _{3B/P} (37)
TYPES OF GAS:	Butane	Propane	Butane, propane or their mixtures	Butane, propane or their mixtures	Butane, propane or their mixtures
GAS PRESSURE:	28-30mbar	37 mbar	30 mbar	50mbar	37mbar
TOTAL HEAT INPUT (Hs): (Qn)	13kW (G30:945g/h; G31:929g/h)				
INJECTOR SIZE:	1.90 mm for main burner 0.18 mm for pilot burner			1.70 mm for main burner 0.18 mm for pilot burner	1.80 mm for main burner 0.18 mm for pilot burner
The marking, for example, 1.90 on the injector, indicates that the size of injector is 1.90mm					

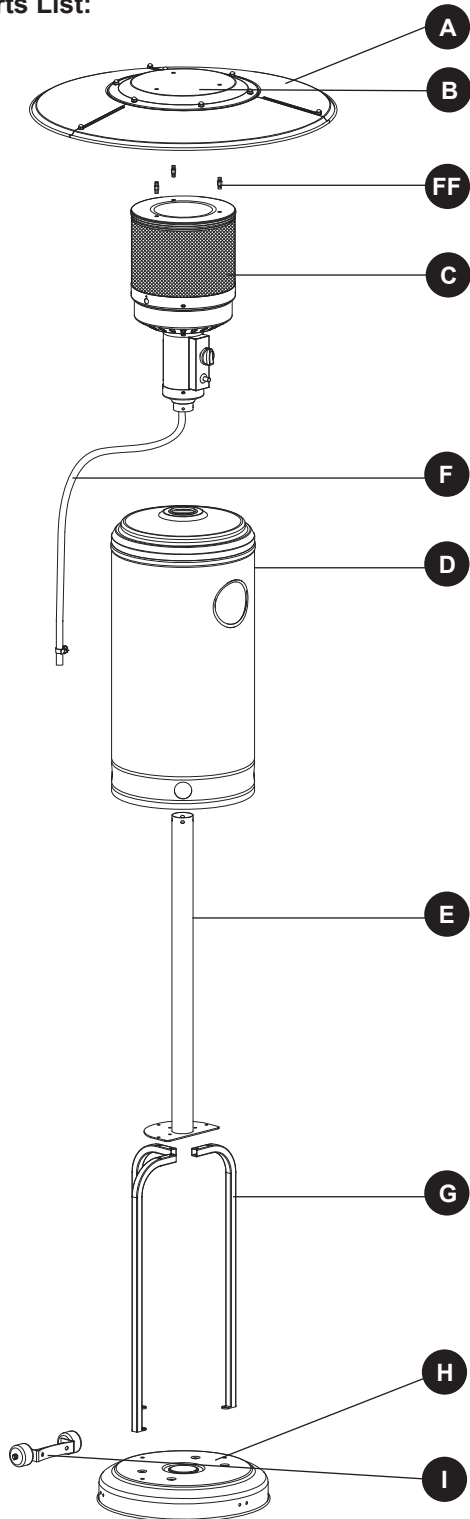
- The hose and regulator assembly must conform to local standard codes.
- Regulator outlet pressure should meet the corresponding gas category in the table of injector.
- The appliance requires approved hose in 1.4m length.

ASSEMBLY PARTS

Tools needed:

- Open end wrench 10 & 13 mm
- Adjustable opening wrench (2) 20 cm long
- Slip joint pliers 23 cm long
- Philips screwdriver w/ medium blade
- Spray bottle of soap solution for leakage test

Parts List:



PART	DESCRIPTION	QUANTITY
A	Reflector Panel	3
B	Reflector Plate	1
FF	Reflector Stud	3
C	Head Assembly	1
D	Cylinder Housing	1
E	Post	1
F	Gas Hose	1
G	Support Bracket	3
H	Base	1
I	Wheel Kit	1

ASSEMBLY PARTS

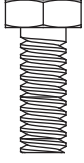
HARDWARE CONTENTS (shown actual size)

AA



M8
Flange
nut
Qty. 2

BB



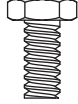
Bolt
M8 x 16
Qty. 5

CC



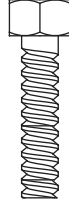
M6
Flange
nut
Qty. 6

DD



Stainless
steel bolt
Qty. 4

EE



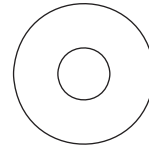
Bolt
M6 x 30
Qty. 6

FF



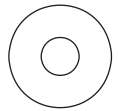
Reflector
spacer
Qty. 3

GG



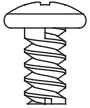
Washer Φ8
Qty. 9

HH



Washer Φ6
Qty. 15

II



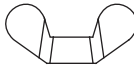
Screw
M6 X 10
Qty. 9

JJ



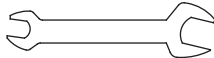
Cap nut
Qty. 9

KK



Wing nut
Qty. 3

LL

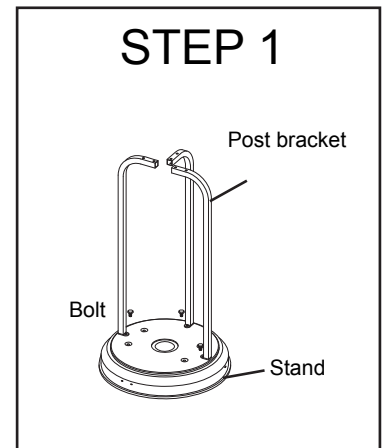


Wrench
Qty. 1
(not actual
size)

ASSEMBLY PROCEDURES

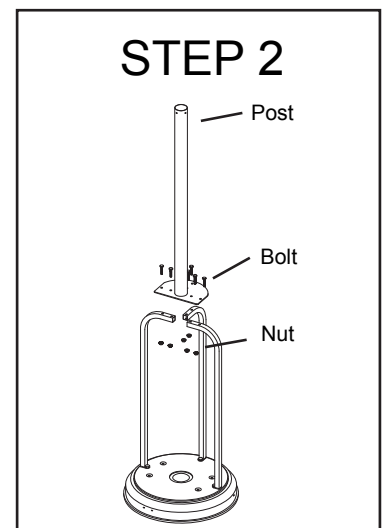
STEP 1

- 1-1. Put the 3 pcs post brackets on each position on the base as shown in the picture.
- 1-2. Use 3 Medium Bolts(M8x16) to join the post brackets and stand.



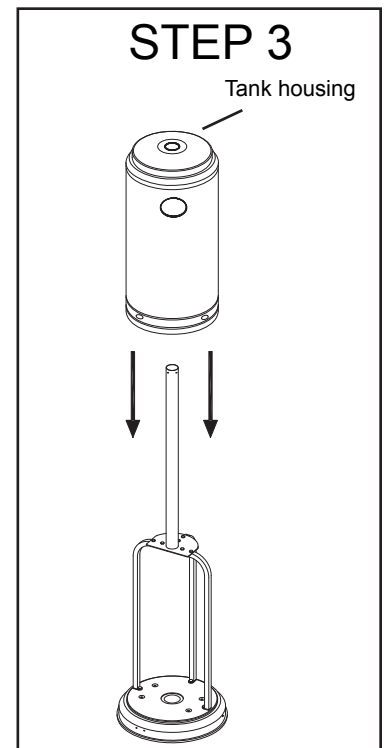
STEP 2

- 2-1. Put the post on the top of 3 pcs post brackets.
- 2-2. Use 6 Large Bolts and Flange Nuts (M6) to connect the post to the 3 pcs post brackets. Tighten the bolts and nuts.



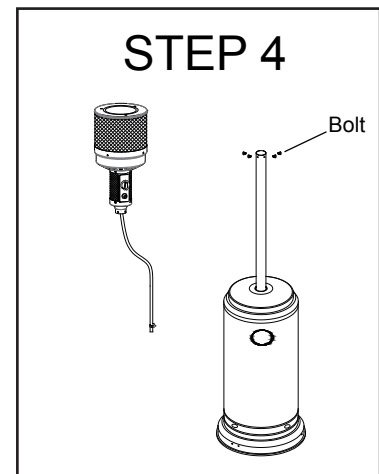
STEP 3

- Place the tank housing on the stand.



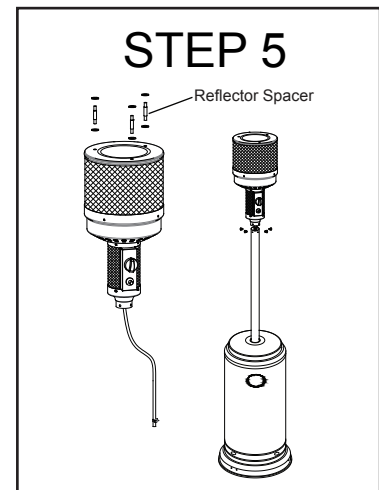
STEP 4

- 4-1. Remove the 4 bolts from the burner.
- 4-2. Put the gas hose through into the post.
- 4-3. Fix the burner unit to the post by the 4 bolts.



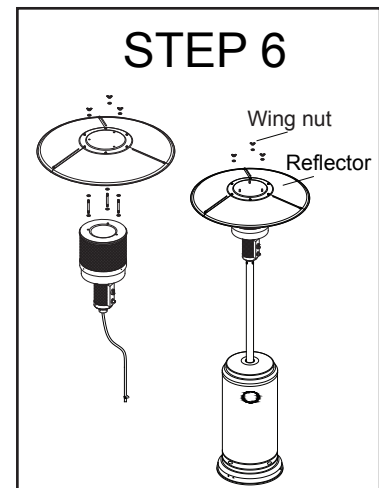
STEP 5

- 5-1. Check whether the connection of vertical post and burner are assembled according to instructions, and all bolts and nuts are tightened.
- 5-2. Put 6 pcs Large Flat Washers on 3 Reflector Spacers.



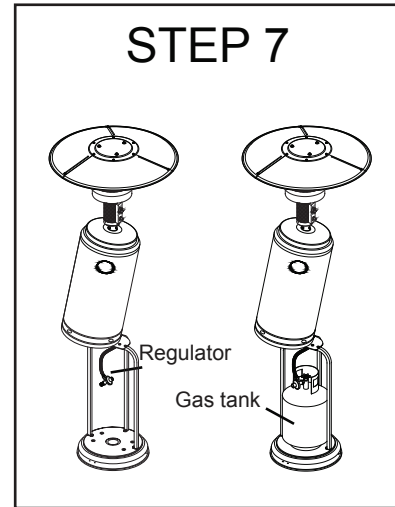
STEP 6

Fasten the reflector with 3 pcs Large Flat Washers and 3 pcs Wing Nuts.



STEP 7

- 7-1. Bring up the tank housing and rest it on the post plate.
- 7-2. Connect the end thread of inlet gas hose to the regulator.
- 7-3. Connect the regulator to the gas tank and tighten it with adjustable wrench.
- 7-4. Put LPG gas tank on the stand.



PROBLEMS CHECK LIST

<u>PROBLEM</u>	<u>PROBABLE CAUSE</u>	<u>SOLUTION</u>
Pilot will not light	Gas valve may be OFF Tank fuel empty Opening blocked Air in supply system Loose connections	Turn the gas valve ON Refill LPG tank Clean or replace opening Purge air from lines Check all fittings
Pilot will not stay on	Debris around pilot Loose connections Thermocouple bad Gas leak in line Lack of fuel pressure	Clean dirty area Tighten connections Replace thermocouple Check connections Tank near empty. Refill LPG tank.
Burner will not light	Pressure is low Opening blocked Control not ON Thermocouple bad Pilot light assembly bent Not in correct location	Tank near empty. Refill LPG tank. Remove and clean Turn valve to ON Replace thermocouple Place pilot properly Position properly and retry



Estufa de patio
Aquecedor pátio



Estufa de Patio

Por favor lea las siguientes instrucciones de seguridad antes de utilizar la estufa

POR SU SEGURIDAD

Si huele a gas:

1. Apague el suministro de gas del aparato.
2. Apague cualquier llama abierta.
3. Si el olor persiste, llame inmediatamente a su proveedor de gas o al cuerpo de bomberos.

POR SUS SEGURIDAD

1. No conserve ni utilice gasolina u otros vapores y líquidos inflamables cerca de este u otro dispositivo.
2. No conserve un cilindro de gas que no esté conectado para usar cerca de este u otro aparato.

ADVERTENCIA

- 1) Para uso exterior o en zonas ampliamente ventiladas.
- 2) Una zona ampliamente ventilada debe tener como mínimo una superficie del 25% del área abierta.
- 3) El área de superficie es la suma de la superficie de las paredes.

ADVERTENCIA: la incorrecta instalación, ajuste, alteración o servicio de mantenimiento pueden causar daños personales o a la propiedad. Lea las instrucciones de instalación, funcionamiento y mantenimiento antes de instalar o poner en funcionamiento este equipo.

ADVERTENCIA

Lea las instrucciones antes de la instalación y uso.

- Este aparato debe instalarse de acuerdo con las normas vigentes, así como la conservación del cilindro de gas.
- No obstruya los orificios de ventilación del alojamiento del cilindro.
- No mueva el aparato cuando esté funcionando.
- Apague la válvula del cilindro de gas o el regulador antes de mover el aparato.
- El tubo o la manguera flexible deben cambiarse en los plazos previstos.
- Use sólo el tipo de gas y cilindro especificados por el fabricante.
- En caso de viento fuerte tenga especial cuidado en la inclinación del aparato.

Contenidos

01. Precaución	3
02. Ubicación y posición de la estufa.	4
03. Requerimientos del gas	4
04. Prueba de fugas.	4
05. Funcionamiento y mantenimiento	5
06. Limpieza y cuidado	6
07. Partes y especificaciones	6
08. Montaje de las partes y procedimientos.	7
09. Lista de comprobación de problemas	10

01. Precaución

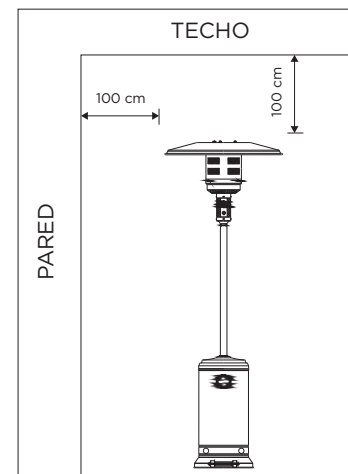
Por favor lea atentamente las siguientes directrices de seguridad antes de poner en funcionamiento.

- No use la estufa patio en interiores, ya que podría causar daños personales o a la propiedad.
- Esta estufa de exteriores no está diseñada para instalarse en vehículos recreativos y/o barcos.
- La instalación y reparación debe realizarse por una persona de servicio cualificada.
- La incorrecta instalación, ajuste o alteración pueden causar daños personales o a la propiedad.
- No intente modificar la unidad de cualquier manera.
- Nunca reemplace o sustituya el regulador por cualquier otro que no sea el sugerido por la fábrica.
- No conserve ni utilice gasolina, así como otros vapores o líquidos inflamables en la unidad de la estufa.
- El sistema de gas completo, manguera, regulador, piloto o quemador deben inspeccionarse para evitar fugas o daños antes de su uso, y al menos anualmente por una persona de servicio cualificada.
- Todas las pruebas de fugas deben hacerse con una solución jabonosa. Nunca use una llama abierta para comprobar fugas.
- No utilice la estufa hasta que todas las conexiones se hayan comprobado frente a posibles fugas.
- Cierre la válvula de gas inmediatamente si se detecta olor a gas. Cierre la válvula del cilindro. Si la fuga está en la conexión de la manguera/regulador: ajuste la conexión y realice otra comprobación de fugas. Si continúan apareciendo burbujas debería devolver la manguera al lugar de la compra. Si la fuga está en la conexión de la válvula del cilindro/regulador: desconecte, vuelva a conectarlo y realice otra prueba de fugas. Si continúa viendo burbujas después de varios intentos, la válvula del cilindro está defectuosa y deberá devolverla al lugar donde hizo la compra.
- No transporte la estufa mientras está en funcionamiento.
- No mueva la estufa después de que haya sido apagada solo hasta que se haya enfriado.
- Mantenga la ventilación del cilindro libre de obstrucciones y limpia de residuos.
- No pinte la pantalla radiante, el panel de control o el reflector de la cubierta superior.
- Mantenga limpios el compartimento de control, el quemador y los canales de ventilación. Pueden requerir de limpieza regular si es necesario.
- Mantenga apagado el depósito de gas cuando la estufa no esté en uso.
- Compruebe inmediatamente la estufa si ocurre lo siguiente:
 - La estufa no alcanza temperatura.
 - El quemador hace ruido durante el funcionamiento (un ruido ligero es normal cuando el quemador se está apagando).
 - Olor a gas junto con inclinación amarilla en el extremo de las llamas del quemador.
- El montaje de la manguera/regulador del gas debe colocarse fuera del paso donde las personas pudieran tropezar en una zona donde la manguera no cause accidentes.
- Cualquier dispositivo protector eliminado para el funcionamiento de la estufa debe reemplazarse antes de usarla.
- Niños y adultos deben permanecer lejos de la superficie de altas temperaturas para evitar quemaduras o la ignición de la ropa.
- Los niños deberían ser vigilados cuando estén cerca de la estufa.
- No se debe colgar o colocar ropa o cualquier material inflamable sobre la estufa o cerca de ella.
- Cambie el cilindro del gas en una zona ampliamente ventilada, lejos de fuentes de calor (velas, cigarrillos, otro dispositivo que produzca llama, ...).
- Compruebe que el sello del regulador esté correctamente ajustado y capaz de cumplir su función.
- No obstruya los orificios de ventilación de la manguera del cilindro.

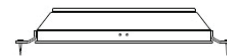
- Cierre el suministro de gas en la válvula del cilindro del gas o el regulador después de utilizarlo.
- En caso de fuga de gas, el dispositivo no será usado o si está encendido, apagará el suministro de gas y el aparato será examinado y rectificado antes de utilizarlo de nuevo.
- La frecuencia recomendada de comprobación de las tuberías o la manguera flexible (al menos una vez al mes y cada vez que se cambie el cilindro). Si muestra signos de fisuras, ruptura u otro deterioro deberá cambiarse por una nueva manguera de la misma longitud y calidad equivalente.

02. Posición y ubicación de la estufa

- La estufa es sólo de uso exterior. Asegúrese de que siempre cuenta con una
- Adecuada ventilación de aire fresco.
- Mantenga siempre un espacio adecuado para los materiales de combustible, p.ej. más de 100 cm y mínimo otros 100 cm por los lados.
- La estufa debe colocarse sobre una superficie firme en el suelo.
- Nunca ponga en funcionamiento en un ambiente explosivo, como en zonas donde se almacenen gasolina u otros vapores o líquidos inflamables.
- Para proteger la estufa de viento fuerte, sujete la base asegurándola al suelo con tornillos.



FORTIFICACIÓN DE LA BASE AL SUELO



03. Requerimientos del gas

- Use sólo propano o gas butano.
- El regulador de presión y el conjunto de la manguera usados deben ser conforme a los códigos estándar locales.
- La instalación debe ser conforme a los códigos locales, o en su defecto, con el estándar para conservación y manipulación de gases de petróleo líquido.
- Una abolladura, oxidación o daño del depósito de propano podría ser peligroso y deberá comprobarlo por su proveedor. Nunca use un depósito de propano con una conexión de válvula dañada.
- El depósito de propano debe disponerse para proporcionar la retirada de vapor desde el cilindro operativo.
- Nunca conecte a la estufa un depósito de propano sin regular.

04. Comprobación de Fugas

Antes del envío se comprueba en fábrica posibles fugas en las conexiones del gas de la estufa. Debe realizarse un completo hermetismo del gas en el lugar de instalación debido a mala gestión en el envío o una excesiva presión aplicada a la estufa.

- Prepare una solución jabonosa con una parte de detergente líquido y otra de agua. La solución jabonosa puede aplicarse con un aerosol, brocha o trapo. Las pompas de jabón aparecerán en caso de fuga.
- La estufa debe comprobarse con un cilindro completo.
- Garantice que la válvula de control de seguridad esté en la posición de apagado.
- Encienda el suministro de gas.

- En caso de fuga, apague el suministro de gas. Ajuste cualquier conexión y vuelva a encender el suministro de gas.
- Nunca haga una comprobación de fugas mientras fume.

05. Funcionamiento y conservación

Para encender la estufa

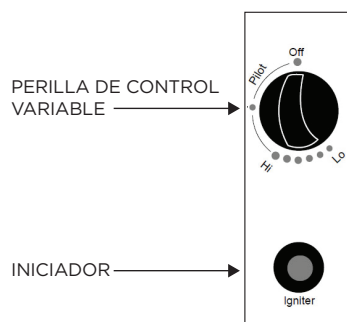
1. Encienda la válvula del cilindro de suministro del gas completamente.
2. Presione y ponga la perilla de control variable en posición PILOTO (contador-hacia la derecha 90°).
3. Presione hacia abajo la perilla de control variable y manténgala durante 30 segundos. Mientras la mantiene hacia abajo, presione el botón ignífugo varias veces hasta que se encienda la llama del piloto. Libere la perilla de control variable después de que se encienda la llama del piloto.

Nota:

- Si se conecta un nuevo depósito, por favor, deje al menos un minuto para que el aire en el conducto del gas para purgarlo a través del orificio del piloto.
 - Cuando se encienda la llama del piloto asegúrese que la perilla de control variable esté continuamente presionada hacia abajo mientras pulsa el botón ignífugo. La perilla de control variable podrá liberarse cuando se encienda la llama del piloto.
 - La llama del piloto puede verse y comprobarse desde una pequeña ventana redonda con tapa deslizante colocada más abajo de la pantalla de la llama (en el lado izquierdo o derecho del controlador).
 - Si la llama del piloto no se enciende o se apaga, repita el paso 3.
4. Después de que se encienda la llama del piloto, cambie la perilla de control variable a la posición máxima y déjela ahí durante 5 minutos o más antes de cambiarla a la posición de la temperatura deseada.

Para apagar la estufa

1. Cambie la perilla de control variable a la posición PILOTO.
2. Presione y cambie la perilla de control variable a la posición de APAGADO.



3. Apague la válvula del cilindro de suministro del gas completamente.

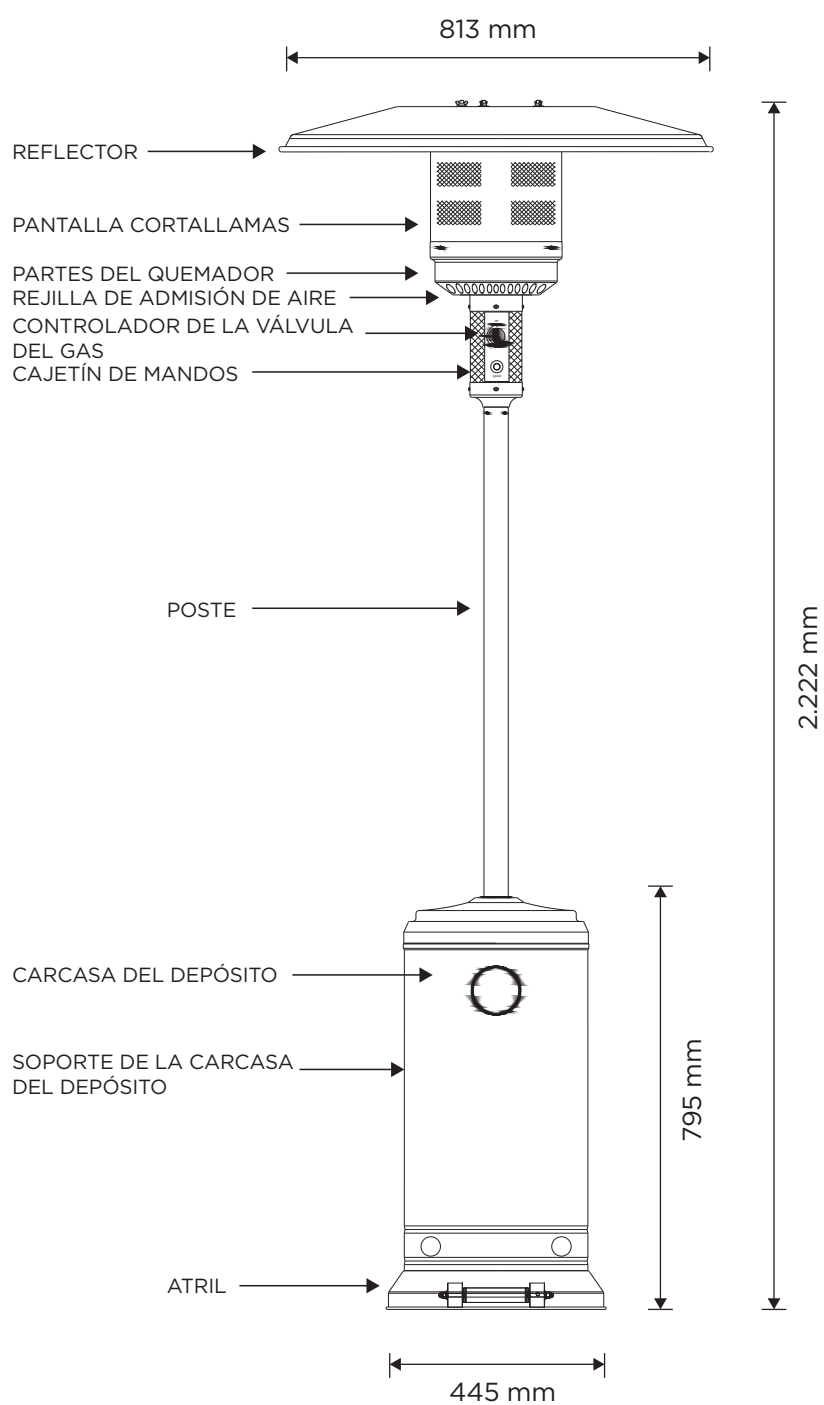
Conservación

1. Cierre siempre la válvula del cilindro del gas después de usarla o en caso de alteraciones.
2. Retire el controlador de presión y la manguera.
3. Compruebe la estanqueidad o daños en la válvula del gas. Si sospecha de averías, hágalo cambiar por su distribuidor de gas.
4. Nunca almacene cilindros de gas líquido en un subterráneo, o en lugares sin adecuada ventilación.

06. Limpieza y cuidados

- Limpie el polvo que cubra superficies suavemente con un paño húmedo. No limpie la estufa con limpiadores combustibles o corrosivos.
- Retire desechos del quemador para mantenerlo limpio y seguro para su utilización.
- Cubra la unidad del quemador con una cubierta protectora opcional cuando la estufa no se esté usando.

07. Partes y especificaciones



A. CONSTRUCCIÓN Y CARACTERÍSTICAS

- Estufa portátil de terraza/jardín con carcasa para el depósito
- Revestimiento en acero con recubrimiento en polvo o acero inoxidable
- Las conexiones de la manguera del gas con fijación de metal (tapón de rosca de Alemania)
- Emisión de calor desde el reflector

B. ESPECIFICACIONES

- Sólo usa propano o gas butano
- Potencia máxima de vatios: 13000 vatios
- Potencia mínima de vatios: 5000 vatios
- Consumo:

CATEGORÍA GAS:	I3+(28-30/37)	I3B/P(30)		I3B/P(50)
TIPOS DE GAS:	Butano	Propano	Gas LPG Mixto	Gas Mixto LPG
PRESIÓN GAS:	28-30 mbar	37 mbar	30 mbar	50mbar
CONSUMO:	450-870g/h	640-1230g/h	550-1060g/h	

Homologación de la CE

C. TABLA DEL INYECTOR

CATEGORÍA GAS:	I3+(28-30/37)	I3B/P(30)		I3B/P(50)
TIPOS DE GAS:	Butano	Propano	Gas LPG Mixto	Gas Mixto LPG
PRESIÓN GAS:	28-30 mbar	37 mbar	30 mbar	50mbar
ENTRADA CALOR TOTAL (Hs): (Qn)	13kW (870g/h)			
TAMAÑO INYECTOR:	1.90 mm quemador principal 0.18 mm quemador piloto		1.70 mm quemador principal 0.18 mm quemador piloto	

- El conjunto del regulador y la manguera deben adecuarse a los códigos estándar locales.
- El regulador de presión de salida recibirá la categoría de gas correspondiente a la tabla de inyectores.
- El dispositivo requiere una longitud de manguera de 1.4m.

08. Montaje de las partes

HERRAMIENTAS NECESARIAS:

- Llave fija de 10 y 13 mm
- (2) Llave de apertura ajustable de 20 cm
- Tenazas de junta deslizable de 23 cm
- Destornillador Philips w/ hoja mediana
- Aerosol con solución jabonosa para la comprobación de fugas

PIEZAS SUMINISTRADAS:

- Atril con carcasa del cilindro LPG y 3 soportes para los postes.
- 9 Bolsa de tuercas (M 6 mm), 9 tornillos pequeños (M 6 x 10 mm), 9 arandelas pequeñas (Ø 6 mm)

para el montaje del reflector.

- 6 Pernos grandes y tuercas hexagonales (M 6) para las patas de apoyo/montaje del poste principal.
- 3 Pernos medianos (M8 x 15 mm) para las patas de apoyo/montaje del atril.
- 3 Separadores del reflector y tuercas de aleta, 9 arandelas grandes para el montaje del reflector y el quemador.
- 3 piezas de fijación al suelo
- 6 piezas de tuercas y pernos de fijación al suelo de M6 x 10 mm

PROCEDIMIENTOS DE MONTAJE

PASO 1

1.1. Ponga las 3 piezas de soporte del poste en cada posición sobre la base como se muestra en la imagen.

1.2. Use 3 pernos medianos (M8x15) para unir los soportes del poste y el atril.

PASO 2

2.1. Ponga el poste en la parte superior de las 3 piezas de los soportes del poste.

2.2. Use 6 pernos grandes y tuercas hexagonales (M6) para conectar el poste con las 3 piezas de soporte. Ajuste los pernos y las tuercas.

PASO 3

Coloque la carcasa del depósito sobre el atril.

PASO 4

4.1. Retire los 4 pernos del quemador.

4.2. Ponga la manguera del gas a través del poste.

4.3. Fije la unidad del quemador al poste con los 4 pernos.

PASO 5

5.1. Compruebe que la conexión vertical del poste y el quemador se realice conforme a las instrucciones, y los pernos y tuercas estén ajustadas.

5.2. Ponga 6 piezas de arandelas grandes en los 3 separadores del reflector.

PASO 6

Ajuste el reflector con 3 piezas de arandelas grandes y 3 piezas de tuerca de mariposa.

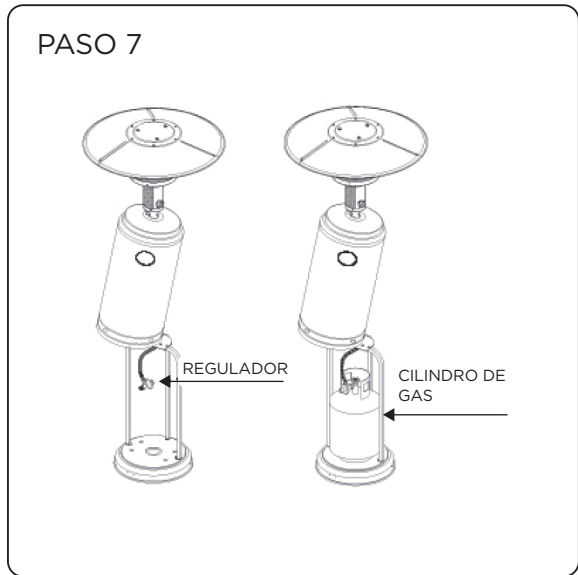
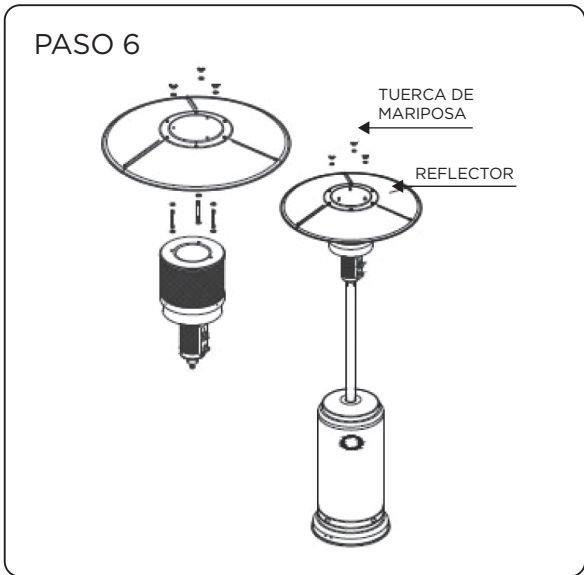
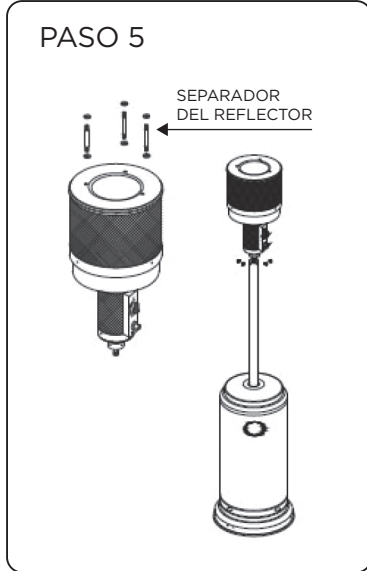
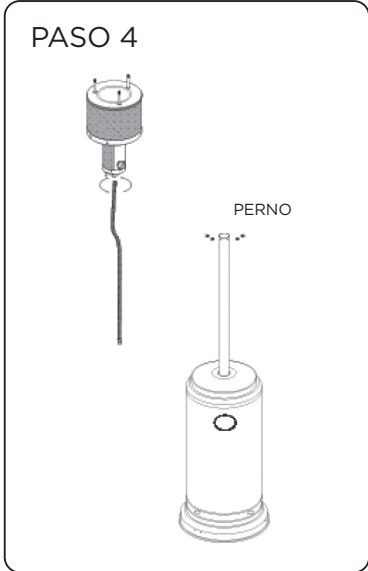
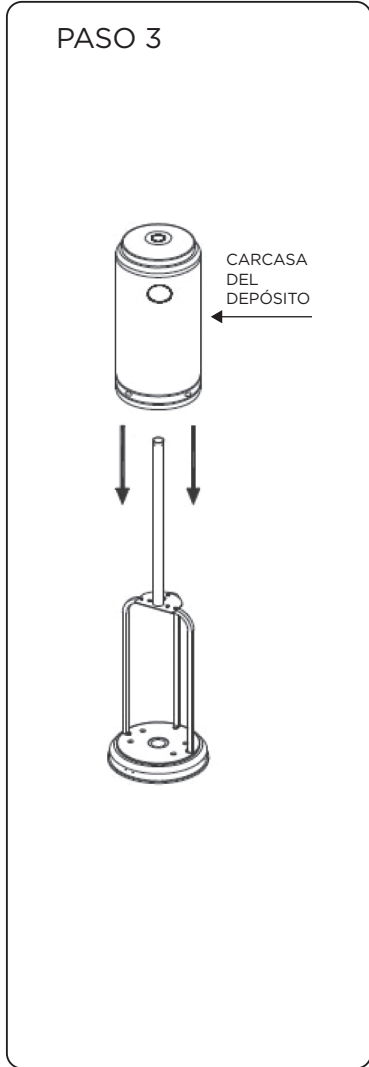
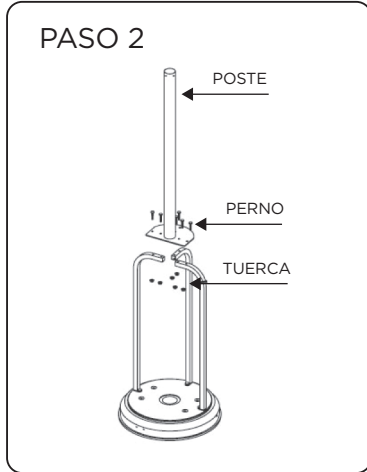
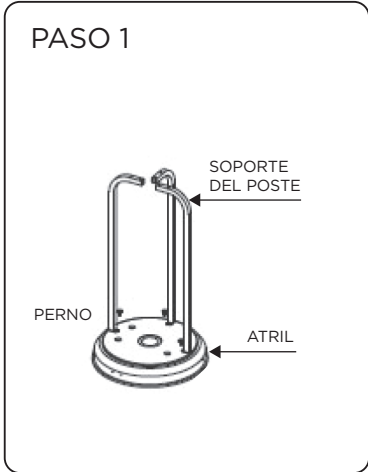
PASO 7

7.1. Coja la carcasa del depósito y déjela sobre el plato del poste.

7.2. Conecte el regulador al depósito del gas y apriete con la llave ajustable.

7.3. Conecte la rosca final de la manguera del gas de entrada al regulador.

7.4. Ponga el depósito del gas LPG sobre el atril.



09. Lista de comprobación de problemas

PROBLEMA	CAUSA PROBABLE	SOLUCIÓN
Piloto no enciende	Válvula Gas apagada Depósito vacío Apertura bloqueada Aire sistema suministro Conexiones sueltas	Encienda Válvula Gas Rellene depósito LPG Limpieza o reemplazo apertura Purga aire de líneas Comprobación todos accesorios
Piloto no permanece on	Residuos alrededor piloto Conexiones sueltas Termopar defectuoso Fuga Gas en línea Falta presión combustible	Limpieza área sucia Ajuste conexiones Reemplazo termopar Fuga Gas en línea Depósito casi vacío. Rellenar depósito LPG
Quemador no enciende	Presión baja Apertura bloqueada Control no enciende Termopar defectuoso Inclinación montaje luz piloto Ubicación incorrecta	Depósito casi vacío, rellenar depósito LPG Retirada y limpieza Volver a encender la válvula Reemplazo termopar Colocación piloto correctamente Ubicación adecuada y reintento



Aquecedor Pátio

Por favor, leia as seguintes instruções de segurança antes de utilizar o aquecedor.

PARA SUA SEGURANÇA

Se cheirar a gás:

1. Desligue o fornecimento de gás do aparelho.
2. Desligue qualquer chama aberta.
3. Se o cheiro persistir, chame imediatamente a seu fornecedor de gás ou ao corpo de bombeiros.

PARA SUAS SEGURANÇAS

1. Não conserve nem utilize gasolina ou outros vapores e líquidos inflamáveis perto deste ou outro dispositivo.
2. Não conserve um cilindro de gás que não esteja conectado para usar perto deste ou outro aparelho.

ADVERTÊNCIA

- 1) Para uso exterior ou em zonas amplamente ventiladas.
- 2) Uma zona amplamente ventilada deve ter como mínimo uma superfície de 25% da área aberta.
- 3) A área de superfície é a soma da superfície das paredes.

ADVERTÊNCIA: a incorrecta instalação, ajuste, alteração ou serviço de manutenção podem causar danos pessoais ou à propriedade. Leia as instruções de instalação, funcionamento e manutenção antes de instalar ou colocar em funcionamento este equipamento.

ADVERTÊNCIA

Leia as instruções antes da instalação e uso.

- Este aparelho deve instalar-se de acordo com as normas vigentes, assim como a conservação do cilindro de gás.
- Não obstrua os orifícios de ventilação do alojamento do cilindro.
- Não mova o aparelho quando esteja funcionando.
- Desligue a válvula do cilindro de gás ou o regulador antes de mover o aparelho.
- O tubo ou a mangueira flexível devem trocar-se nos prazos previstos.
- Use só o tipo de gás e cilindro especificados pelo fabricante.
- Em caso de vento forte tenha especial cuidado na inclinação do aparelho.

Conteúdos

01. Precaução	12
02. Localização e posição do aquecedor	13
03. Requerimentos do gás	13
04. Testes de vazamentos	13
05. Funcionamento e manutenção	14
06. Limpeza e cuidado	15
07. Partes e especificações	15
08. Montagem das partes e procedimentos	16
09. Lista de comprovação de problemas	19

01. Precaução

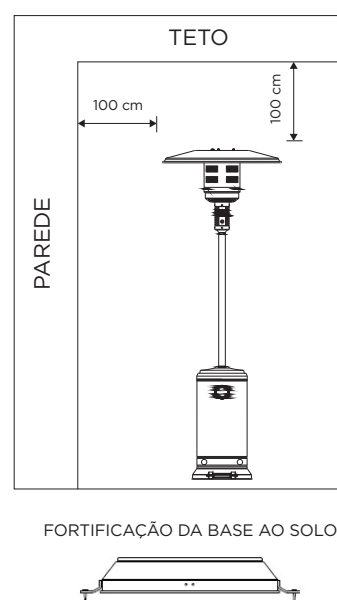
Por favor, leia atentamente as seguintes directrizes de segurança antes de colocar em funcionamento.

- Não use o aquecedor de pátio em interiores, já que poderia causar danos pessoais ou à propriedade.
- Este aquecedor de exteriores não está desenhado para instalar-se em veículos recreativos e/ou barcos.
- A instalação e reparação deve realizar-se por uma pessoa de serviço qualificado.
- A incorrecta instalação, ajuste ou alteração podem causar danos pessoais ou à propriedade.
- Não tente modificar a unidade de qualquer maneira.
- Nunca substituir ou substitua o regulador por qualquer outro que não seja o sugerido pela fábrica.
- Não conserve nem utilize gasolina, assim como outros vapores ou líquidos inflamáveis na unidade do aquecedor.
- O sistema de gás completo, mangueira, regulador, piloto ou queimador devem inspeccionar-se para evitar vazamentos ou danos antes de seu uso, e ao menos anualmente por uma pessoa de serviço qualificada.
- Todos os vazamentos devem fazer-se com uma solução ensaboada. Nunca use uma chama aberta para comprovar vazamentos.
- Não utilize o aquecedor até que todas as conexões se tenham comprovado frente a possíveis vazamentos.
- Feche a válvula de gás imediatamente se detectar cheiro a gás. Feche a válvula do cilindro. Se o vazamento está na conexão da mangueira/regulador: ajuste a conexão e realize outra comprovação de vazamentos. Se continuam aparecendo borbulhas deveria devolver a mangueira ao lugar da compra. Se o vazamento está na conexão da válvula do cilindro/regulador: desconecte, volte a conectá-lo e realize outro teste de vazamentos. Se continua vendo borbulhas depois de várias tentativas, a válvula do cilindro está defeituosa e deverá devolvê-la ao lugar onde fez a compra.
- Não transporte o aquecedor enquanto está em funcionamento.
- Não mova o aquecedor depois de tenha sido desligada até que se tenha esfriado.
- Mantenha a ventilação do cilindro livre de obstruções e limpa de resíduos.
- Não pinte a tela radiante, o painel de controle ou o reflector da cobertura superior.
- Mantenha limpos o compartimento de controle, o queimador e os canais de ventilação. Podem requerer de limpeza regular se é necessário.
- Mantenha desligado o depósito de gás quando o aquecedor não esteja em uso.
- Comprove imediatamente o aquecedor se ocorrer o seguinte:
 - O aquecedor não alcança temperatura.
 - O queimador faz barulho durante o funcionamento (um barulho leve é normal quando o queimador se está desligando).
 - Cheiro a gás junto com inclinação amarela no extremo das chamas do queimador.
- A montagem da mangueira/regulador do gás deve colocar-se fora do passo onde as pessoas podem tropeçar em uma zona onde a mangueira não cause acidentes.
- Qualquer dispositivo protector eliminado para o funcionamento do aquecedor deve substituir-se antes de usá-la.
- Crianças e adultos devem permanecer longe da superfície de altas temperaturas para evitar queimaduras ou a ignição da roupa.
- As crianças deveriam ser supervisionadas quando estejam perto do aquecedor.
- Não se deve pendurar ou colocar roupa ou qualquer material inflamável sobre o aquecedor ou perto dela.
- Troque o cilindro do gás em uma zona amplamente ventilada, longe de fontes de calor (velas, cigarros, outro dispositivo que produza chama, ...).

- Comprove que o selo do regulador esteja correctamente ajustado e capaz de cumprir sua função.
- Não obstrua os orifícios de ventilação da mangueira do cilindro.
- Feche o fornecimento de gás na válvula do cilindro do gás ou o regulador depois de utilizá-lo.
- Em caso de vazamento de gás, o dispositivo não será usado ou se está ligado, desligará o fornecimento de gás e o aparelho será examinado e rectificado antes de utilizá-lo de novo.
- A frequência recomendada de comprovação das tubulações ou a mangueira flexível (ao menos uma vez ao mês e cada vez que se troque o cilindro). Se mostre sinais de fissuras, ruptura ou outro deterioro deverá trocar-se por uma nova mangueira da mesma longitude e qualidade equivalente.

02. Posição e localização do aquecedor

- O aquecedor é só de uso exterior. Assegure-se de que sempre conta com uma
- Adequada ventilação de ar fresco.
- Mantenha sempre um espaço adequado para os materiais de combustível,
- p.ex. mais de 100 cm e mínimo outros 100 cm pelos lados.
- O aquecedor deve colocar-se sobre uma superfície firme no solo.
- Nunca coloque em funcionamento em um ambiente explosivo, como em zonas onde se armazenem gasolina ou outros vapores ou líquidos inflamáveis.
- Para proteger o aquecedor de vento forte, segure a base assegurando-a ao solo com parafusos.



03. Requerimentos do gás

- Use só propano ou gás butano.
- O regulador de pressão e o conjunto da mangueira usados devem ser de conforme aos códigos padrão locais.
- A instalação deve ser conforme aos códigos locais, ou em seu padrão, com o padrão para conservação e manipulação de gases de petróleo líquido.
- Uma amassadura, oxidação ou dano do depósito de propano poderia ser perigoso e deverá comprová-lo por seu fornecedor. Nunca use um depósito de propano com uma conexão de válvula danificada.
- O depósito de propano deve dispor-se para proporcionar a retirada de vapor desde o cilindro operativo.
- Nunca conecte o aquecedor um depósito de propano sem regular.

04. Comprovação de vazamentos

Antes do envio se comprova na fábrica possíveis vazamentos nas conexões do gás do aquecedor. Deve realizar-se um completo hermetismo do gás no lugar de instalação devido à má gestão no envio ou uma excessiva pressão aplicada ao aquecedor.

- Prepare uma solução ensaboada com uma parte de detergente líquido e outra de água. A solução ensaboada pode aplicar-se com um aerossol, brocha ou pano. As pompas de sabão aparecerão em caso de vazamento.

- O aquecedor deve comprovar-se com um cilindro completo.
- Garanta que a válvula de controle de segurança esteja na posição de desligado.
- Ligue o fornecimento de gás.
- Em caso de vazamento, desligue o fornecimento de gás. Ajuste qualquer conexão e volte a ligar o fornecimento de gás.
- Nunca faça uma comprovação de vazamentos enquanto fume.

05. Funcionamento e conservação

Para ligar o aquecedor

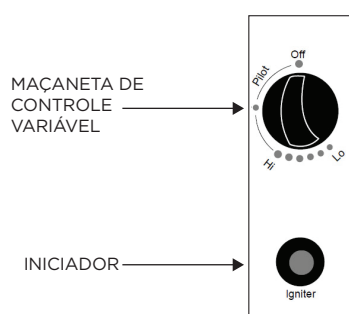
1. Ligue a válvula do cilindro de fornecimento do gás completamente.
2. Pressione e coloque o botão de controle variável em posição PILOTO (contador-para a direita 90°).
3. Pressione para abaixo o botão de controle variável e mantenha-a durante 30 segundos. Enquanto a mantém para abaixo, pressione o botão ignífugo várias vezes até que se ligue a chama do piloto. Libere o botão de controle variável depois de que se ligue a chama do piloto.

Nota:

- Se conectar um novo depósito, por favor, deixe ao menos um minuto para que o ar no conduto do gás para purga-lo através do orifício do piloto.
 - Quando se liga a chama do piloto assegure-se que o botão de controle variável esteja continuamente pressionado para abaixo enquanto clique no botão ignífugo. O botão de controle variável poderá liberar-se quando se liga a chama do piloto.
 - A chama do piloto pode ver-se e comprovar-se desde uma pequena janela redonda com tampa deslizante colocada mais abaixo da tela da chama (no lado esquerdo ou direito do controlador).
 - Se a chama do piloto não se ligue ou se desligue, repita o passo 3.
4. Depois de que se ligue a chama do piloto, troque o botão de controle variável à posição máxima e deixe-a aí durante 5 minutos ou mais antes de trocá-la à posição da temperatura desejada.

Para desligar o aquecedor

1. Troque o botão de controle variável à posição PILOTO.
2. Pressione e troque o botão de controle variável à posição de DESLIGADO.



3. Desligue a válvula do cilindro de fornecimento do gás completamente.

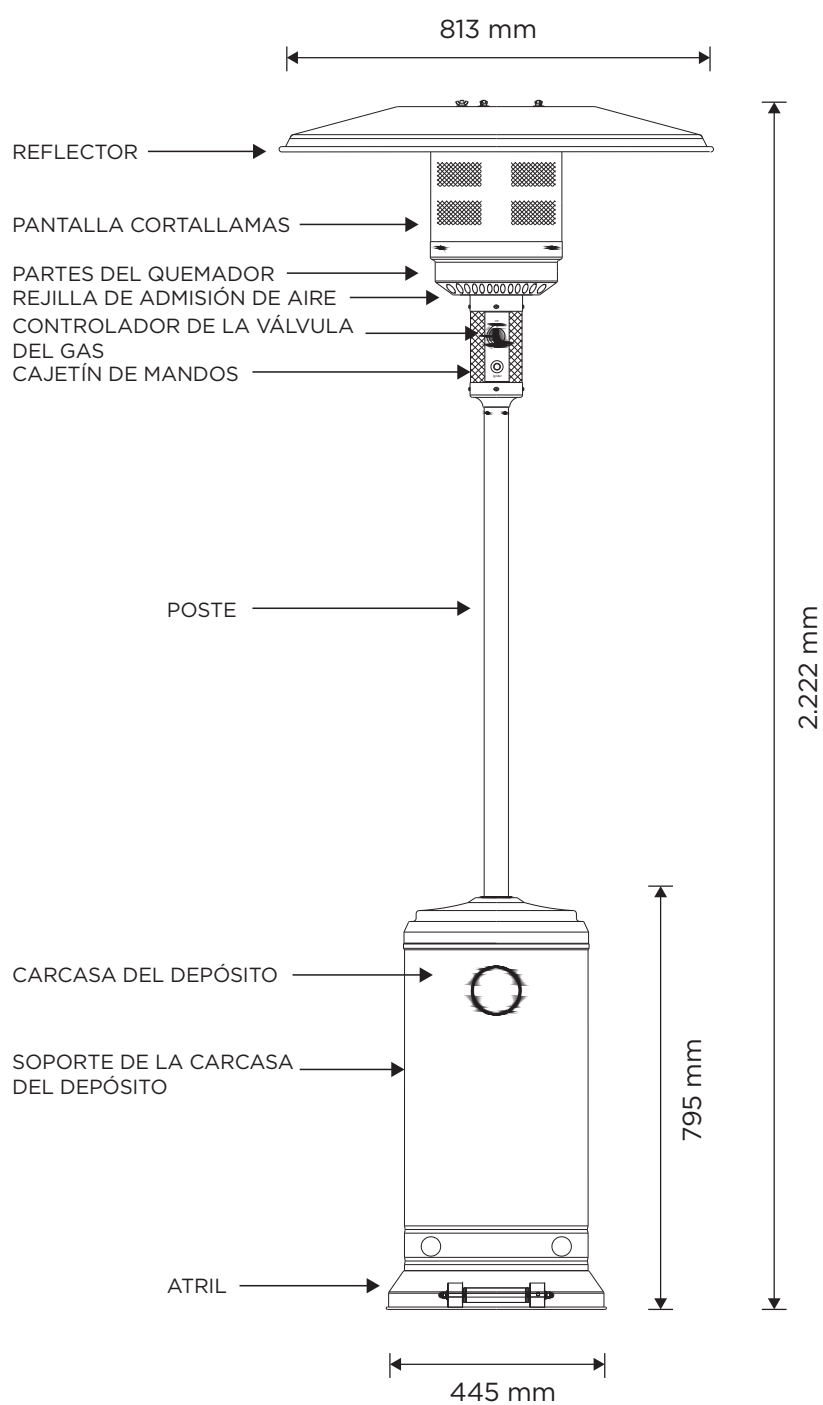
Conservação

1. Feche sempre a válvula do cilindro do gás depois de usá-la ou em caso de alterações.
2. Retire o controlador de pressão e a mangueira.
3. Comprove a estanquidade ou danos na válvula do gás. Se suspeitar de defeito, faça-o trocar por seu distribuidor de gás.
4. Nunca armazene cilindros de gás líquido em um subterrâneo, ou em lugares sem adequada ventilação.

06. Limpeza e cuidados

- Limpe a poeira que cubra superfícies suavemente com um pano úmido. Não limpe o aquecedor com limpadores combustíveis ou corrosivos.
- Retire resíduos do queimador para mantê-lo limpo e seguro para sua utilização.
- Cubra a unidade do queimador com uma cobertura protectora opcional quando o aquecedor não se esteja usando.

07. Partes e especificações



A. CONSTRUÇÃO E CARACTERÍSTICAS

- Aquecedor portátil de terraço/jardim com carcaça para o depósito
- Revestimento em aço com revestimento em poeira ou aço inoxidável
- As conexões da mangueira do gás com fixação de metal (tampão de rosca de Alemanha)
- Emissão de calor do reflector

B. ESPECIFICAÇÕES

- Só usa propano ou gás butano
- Potência máxima de watts: 13000 watts
- Potência mínima de watts: 5000 watts
- Consumo:

CATEGORIA GÁS:	I3+(28-30/37)	I3B/P(30)		I3B/P(50)
TIPOS DE GÁS:	Butano	Propano	Gás LPG Misto	Gás Misto LPG
PRESSÃO GÁS:	28-30 mbar	37 mbar	30 mbar	50mbar
CONSUMO:	450-870g/h	640-1230g/h	550-1060g/h	

Homologação da CE

C. TABELA DO INJECTOR

CATEGORIA GÁS:	I3+(28-30/37)	I3B/P(30)		I3B/P(50)
TIPOS GÁS:	Butano	Propano	Gás LPG Mistos	Gás Misto LPG
PRESSÃO GÁS:	28-30 mbar	37 mbar	30 mbar	50mbar
ENTRADA CALOR TOTAL (Hs): (Qn)	13kW (870g/h)			
TAMANHO INJECTOR:	1.90 mm queimador principal 0.18 mm queimador piloto		1.70 mm queimador principal 0.18 mm queimador piloto	

- O conjunto do regulador e a mangueira devem adequar-se aos códigos padrões locais.
- O regulador de pressão de saída receberá a categoria de gás correspondente à tabela de injectores.
- O dispositivo requer uma longitude de mangueira de 1.4m.

08. Montagem das partes

FERRAMENTAS NECESSÁRIAS:

- Chave fixa de 10 e 13 mm
- (2) Chave de abertura ajustável de 20 cm
- Pinças de junta corrediça de 23 cm
- Chave de fenda Philips w/ folha média
- Aerossol com solução ensaboada para a comprovação de vazamentos

PEÇAS FORNECIDAS:

- Atril com carcaça do cilindro LPG e 3 suportes para os postes.

- 9 Bolsa de porcas (M 6 mm), 9 parafusos pequenos (M 6 x 10 mm), 9 arandelas pequenas (Ø 6 mm) para a montagem do reflector..
- 6 Pernos grandes e porcas hexagonais (M 6) para os pés de apoio/montagem do poste principal.
- 3 Pernos médios (M8 x 15 mm) para os pés de apoio/montagem do atril.
- 3 Separadores do reflector e porcas de asa, 9 arandelas grandes para a montagem do reflector e o queimador.
- 3 peças de fixação ao solo
- 6 peças de porcas e pernos de fixação ao solo de M6 x 10 mm

PROCEDIMENTOS DE MONTAGEM

PASSO 1

1.1. Coloque as 3 peças de suporte do poste em cada posição sobre a base como se mostra na imagem.

1.2. Use 3 pernos médios (M8x15) para unir os suportes do poste e o atril.

PASSO 2

2.1. Coloque o poste na parte superior das 3 peças dos suportes do poste.

2.2. Use 6 pernos grandes e porcas hexagonais (M6) para conectar o poste com as 3 peças de suporte. Ajuste os pernos e as porcas.

PASSO 3

Coloque a carcaça do depósito sobre o atril.

PASSO 4

4.1. Retire os 4 pernos do queimador.

4.2. Coloque a mangueira do gás através do poste.

4.3. Fixe a unidade do queimador ao poste com os 4 pernos.

PASSO 5

5.1. Comprove que a conexão vertical do poste e o queimador se realize conforme às instruções, e os pernos e porcas estejam ajustadas.

5.2. Coloque 6 peças de arandelas grandes nos 3 separadores do reflector.

PASSO 6

Ajuste o reflector com 3 peças de arandelas grandes e 3 peças de porca de borboleta.

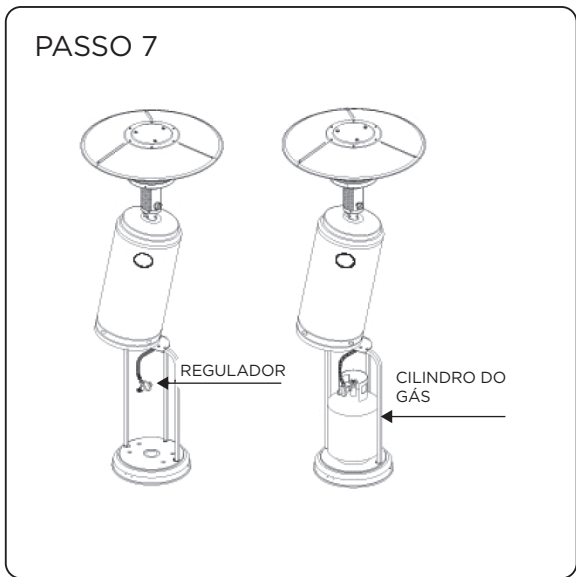
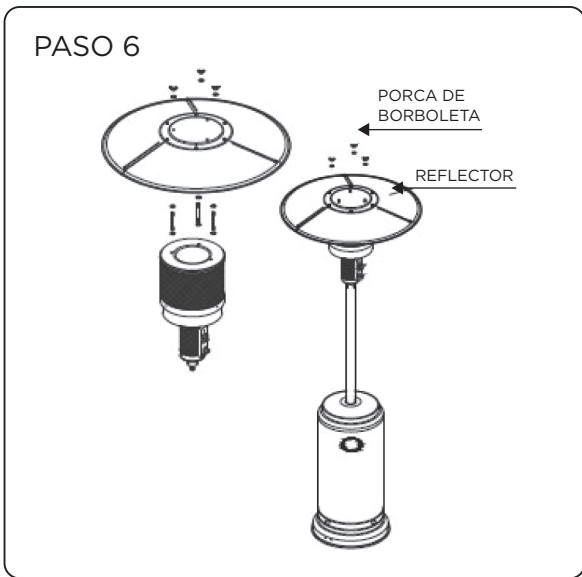
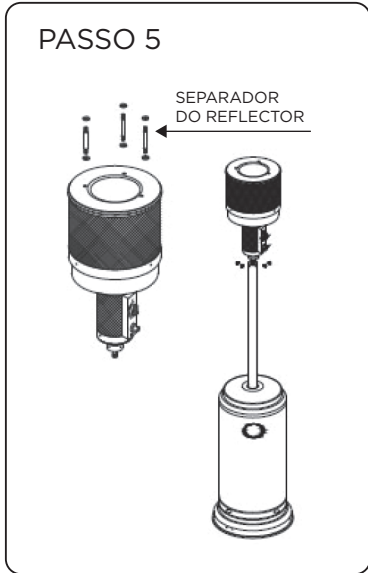
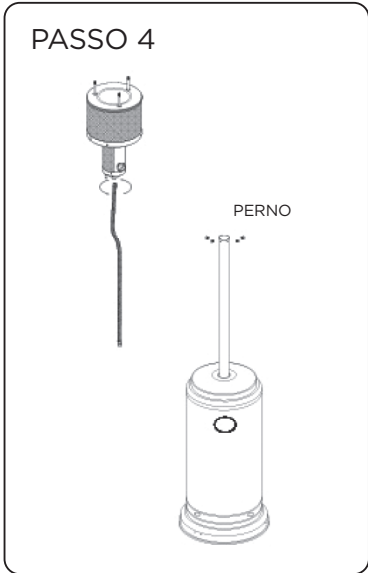
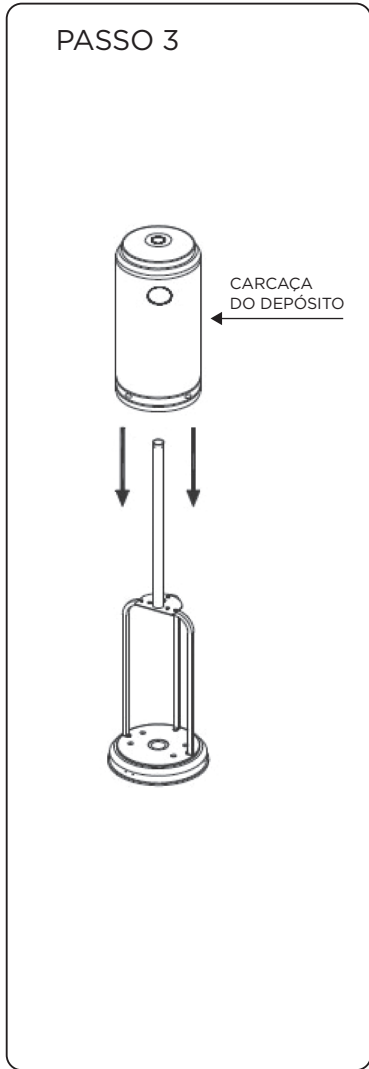
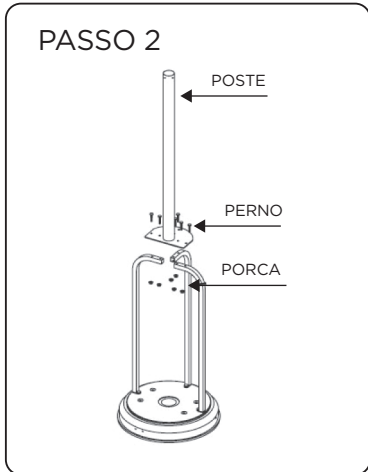
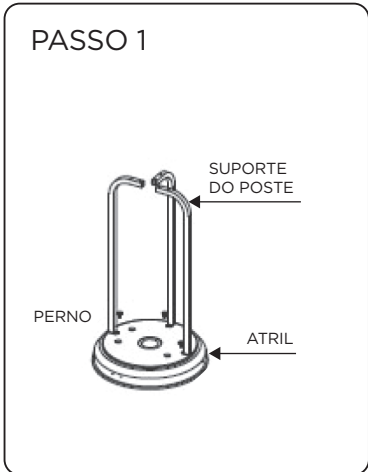
PASSO 7

7.1. Pegue a carcaça do depósito e deixe-a sobre o prato do poste.

7.2. Conecte o regulador ao depósito do gás e aperte com a chave ajustável.

7.3. Conecte a rosca final da mangueira do gás de entrada ao regulador.

7.4. Coloque o depósito do gás LPG sobre o atril.



09. LISTA DE COMPROVAÇÃO DE PROBLEMAS

PROBLEMA	CAUSA PROVÁVEL	SOLUÇÃO
Piloto não liga	Válvula Gás desligada Depósito vazio Abertura bloqueada Ar sistema fornecido Conexões soltas	Ligue Válvula Gás Encha depósito LPG Limpeza ou substituição abertura Purga ar de linhas Comprovação todos acessórios
Piloto não permanece on	Resíduos ao redor piloto Conexões soltas Termopar defeituoso Vazamento Gás em linha Falta pressão combustível	Limpeza área suja Ajuste conexões Substitua termopar Comprovação conexões Depósito quase vazio. Encher depósito LPG
Queimador não liga	Pressão baixa Abertura bloqueada Controle não liga Termopar defeituoso Inclinação montagem luz piloto Localização incorrecta	Depósito quase vazio, encher depósito LPG Retirada e limpeza Voltar a ligar a válvula Substitua termopar Colocação piloto correctamente Localização adequada e tente novamente



KEKAI

CALEFACCIÓN

Oficina

Tel: (+34) 911 34 50 46
Email: info@kovyx.com

KOVYX OUTDOOR S.L

C/ de las Moreras 1 - Naves 7-10
Pol. Ind. Camporosso Sur
28350 - Madrid

Servicio Post-Venta

Tel: (+34) 918 09 62 29
Email: spv@kovyx.com